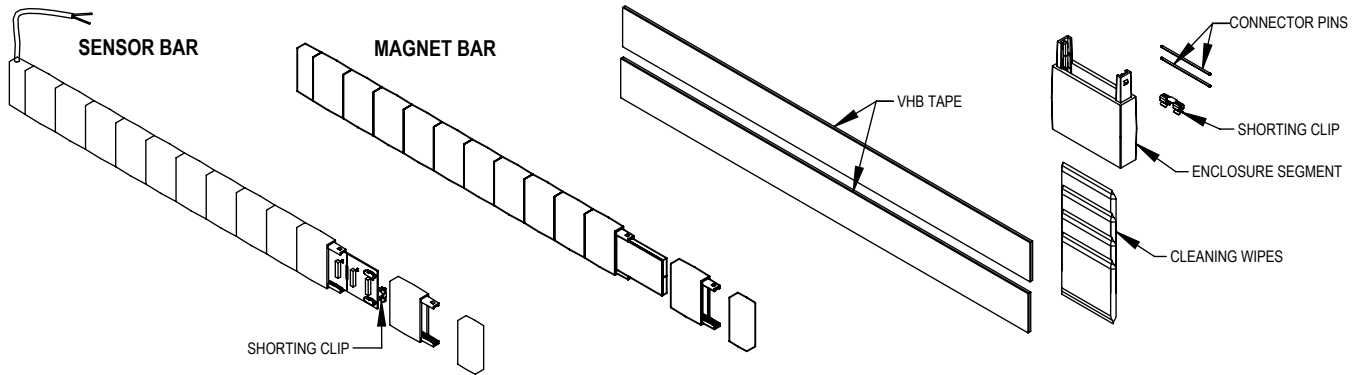
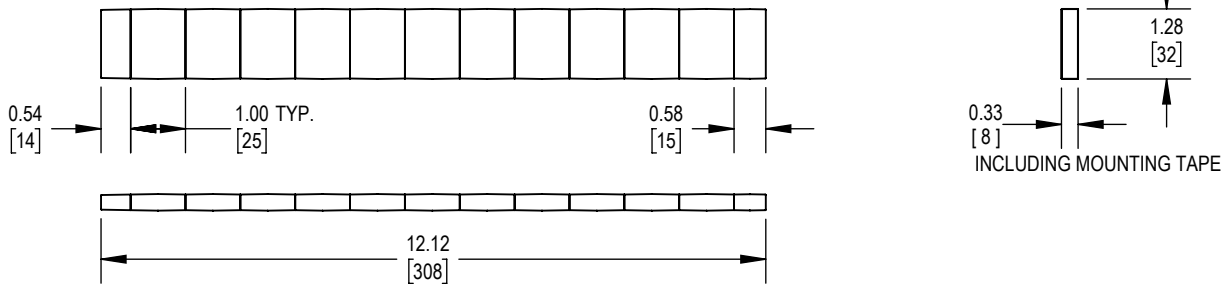


HORIZONTAL SASH POSITION SENSOR

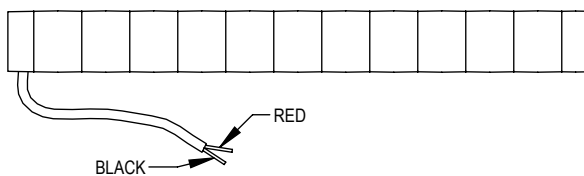
SPS-H SPECIFICATIONS	
ENVIRONMENTAL (OPERATING)	32 °F to 130 °F (0 °C to 55 °C), 5% to 95% R.H. (NON-CONDESING)
ENVIRONMENTAL (STORAGE)	-22 °F to 158 °F (-30 °C to 70 °C), 0% to 95% R.H. (NON-CONDESING)
SENSOR AND MAGNET LENGTH	12.1in. (308mm) 1in. (25mm) SEGMENTS CAN BE REMOVED TO DECREASE LENGTH MULTIPLE SPS-H CAN BE CONNECTED TO EXTEND LENGTH
SENSOR AND MAGNET THICKNESS	0.33in. (8.4mm) INCLUDING MOUNTING TAPE
SASH COVERAGE	2 PANES, UP TO 12.1in. (308mm) EACH
SENSING DISTANCE	0.9 in. (22.9mm) BETWEEN SENSOR AND MAGNET
INSTALLATION COMPONENTS	2 VERY HIGH BOND (VHB) TAPE STRIPS - 12in. x 1in. (305mm x 25mm) 4 CLEANING WIPES 2 SHORTING CLIPS (1 EXTRA) 2 CONNECTOR PINS (USED FOR CONNECTING MULTIPLE SENSOR BARS) 1 EXTRA ENCLOSURE SEGMENT (USED FOR CONNECTING MULTIPLE SENSOR BARS)
OUTPUT SIGNAL	RESISTIVE (0 - 2.4KΩ)
CONNECTION TYPE	2-WIRE
HOUSING	PETG



HOUSING DIMENSION:



TERMINATION:

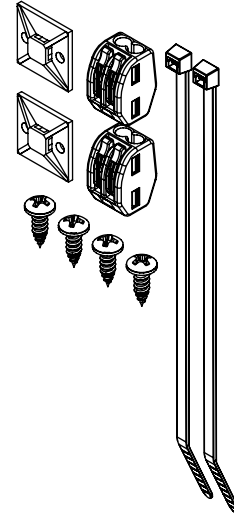


RED	SASH POSITION FEEDBACK
BLACK	

NOTE: PLEASE REFER TO CAVA MANUAL FOR INSTALLATION AND SETUP INSTRUCTIONS. SEE PROJECT SUBMITTAL SCHEDULE FOR SELECTED OPTIONS.
ALL METRIC DIMENSIONS [] ARE SOFT CONVERTED. IMPERIAL DIMENSIONS ARE CONVERTED TO METRIC AND ROUNDED TO THE NEAREST MILLIMETER.
SPECIFICATIONS ARE SUBJECT TO CHANGE WITHOUT NOTICE.

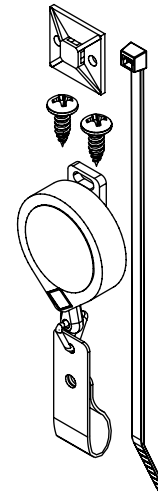
WIRE MANAGEMENT KIT

WIRE MANAGEMENT KIT SPECIFICATIONS	
WIRE CONNECTORS	2-ENTRY LEVER CONNECTORS
CABLE TIE LENGTH	6in. (152mm)
CABLE TIE MOUNT ADHESIVE	HIGH HEAT HIGH BOND ACRYLIC (VHB)
CABLE TIE MOUNT SIZE	1.12in. x 1.12in. (28.5mm x 28.5mm)
CABLE TIE MOUNT HARDWARE	#8 SCREWS



TAKE-UP REEL

TAKE-UP REEL SPECIFICATIONS	
REEL CABLE LENGTH	36in. (914mm)
REEL MATERIAL	3-STRAND BRAIDED NYLON FIBER CORD STAINLESS STEEL SPRING POLYCARBONATE HOUSING
REEL PULL FORCE	2oz. (57g)
REEL PULL RATING	>1,000,000 pulls
CABLE TIE LENGTH	6in. (152mm)
CABLE TIE MOUNT ADHESIVE	HIGH HEAT HIGH BOND ACRYLIC (VHB)
CABLE TIE MOUNT SIZE	1.12in. x 1.12in. (28.5mm x 28.5mm)
CABLE TIE MOUNT HARDWARE	#8 SCREWS



NOTE: PLEASE REFER TO CAVA MANUAL FOR INSTALLATION AND SETUP INSTRUCTIONS. SEE PROJECT SUBMITTAL SCHEDULE FOR SELECTED OPTIONS.
ALL METRIC DIMENSIONS [] ARE SOFT CONVERTED. IMPERIAL DIMENSIONS ARE CONVERTED TO METRIC AND ROUNDED TO THE NEAREST MILLIMETER.
SPECIFICATIONS ARE SUBJECT TO CHANGE WITHOUT NOTICE.