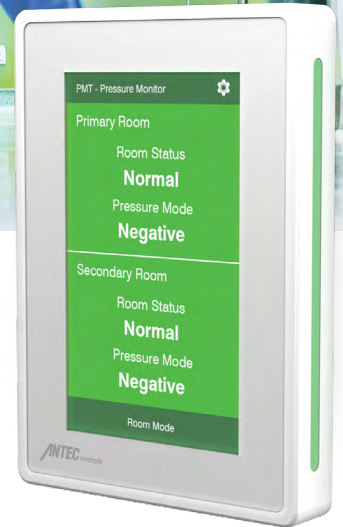


PMT

TOUCHSCREEN ROOM PRESSURE MONITOR



ANTEC controls
by PRICE

PMT

Touchscreen Room Pressure Monitor

The Touchscreen Room Pressure Monitor (PMT) is the most advanced pressure monitor on the market. Designed specifically to meet the needs of Compounding Pharmacies, Isolation Rooms and Operating Rooms, the PMT provides single or multi-room pressure monitoring while utilizing industry-first maintenance-free pressure sensors.

The PMT boasts a high resolution, 4.3 inch (109.2 mm) capacitive touchscreen display. Powered by Android, the interface is highly intuitive and simple to navigate. The screen and 180° side-view illuminate to indicate room status. Audible alarms are available for additional room status indication ensuring building staff are able to verify changes in room status immediately.

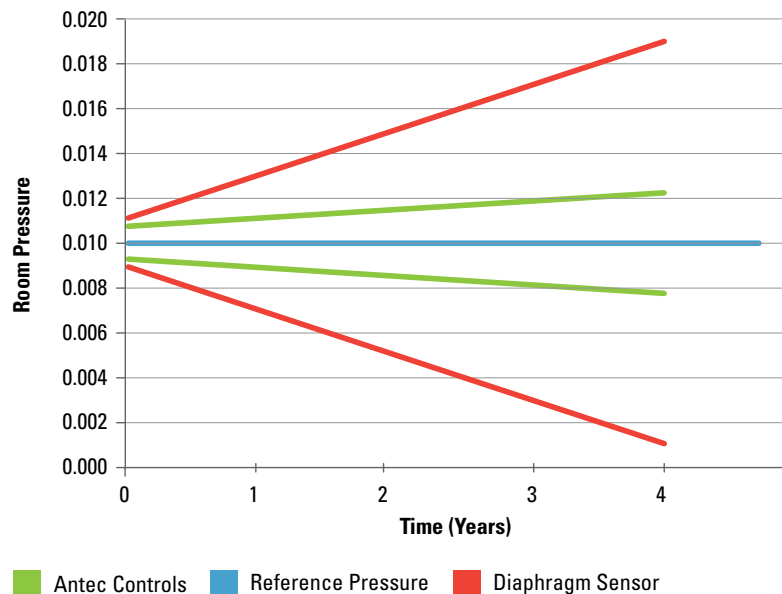
In addition, the PMT features the ability to report room temperature, room humidity and air change rate via BACnet allowing for all critical room information to be available at a central information display.



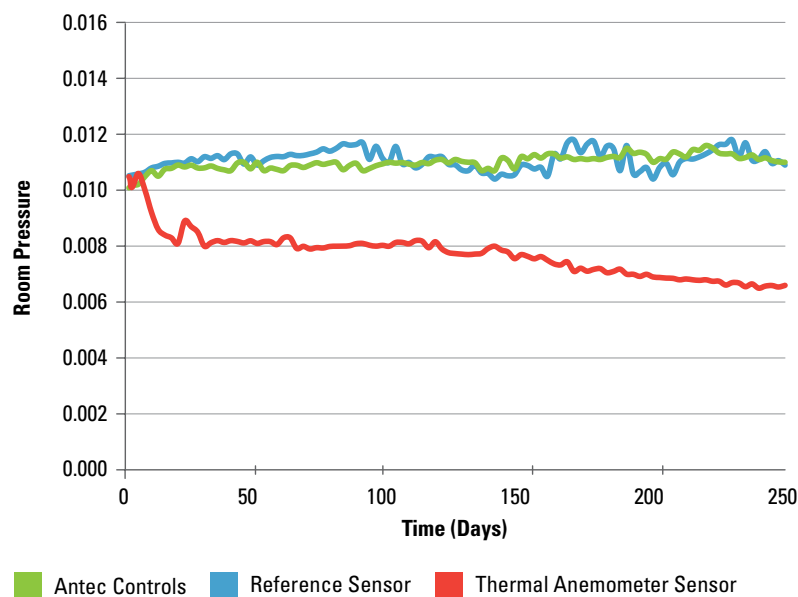
ROOM PRESSURE SENSING

The PMT provides pressure measurement through an industry-first maintenance-free Room Pressure Sensor (SRPS). As a result, the SRPS is highly accurate with minimal drift over time. When tested against competing technologies, including diaphragm sensors and thermal anemometers, the SRPS has proven to be the most durable pressure sensing technology.

Comparison of Antec Controls sensor to diaphragm sensor technology. Comparison of published accuracies.



Comparison of Antec Controls sensor to thermal anemometer sensor technology. Effects of a lint and dust saturated environment.



TYPICAL APPLICATIONS

The PMT provides precise room pressure monitoring for critical spaces. Using a maintenance-free room pressure sensor (SRPS), the PMT can accurately measure room pressure without the risk of degradation over time. The PMT utilizes BACnet MS/TP communication to connect into the Building Management System (BMS), providing simple integration to the network.

APPLICATIONS

- + Compounding Pharmacies
- + Operating Rooms
- + Isolation Rooms

FEATURES

- + 24/7 pressure monitoring
- + High resolution display
- + Maintenance-free pressure measurement
- + Multi-level password protected menus
- + BACnet MS/TP

STANDARDS & CERTIFICATIONS

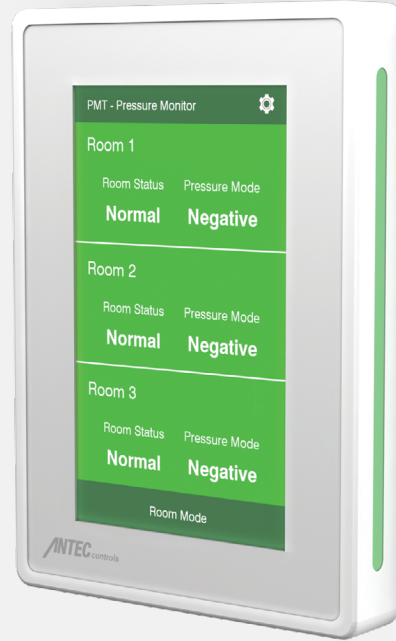
- + ASHRAE 170 Healthcare Ventilation Standard
- + USP 800 and USP 797 Hazardous Drugs – Handling in Healthcare Settings
- + BTL Certified – BACnet Testing Laboratories

MULTIPLE ROOM MONITORING

Pressure monitoring is available for up to three rooms on a single PMT. Utilizing a SRPS for each room, the PMT enables a user to measure multiple pressurized spaces and report each pressure in real-time on a single interface simultaneously.



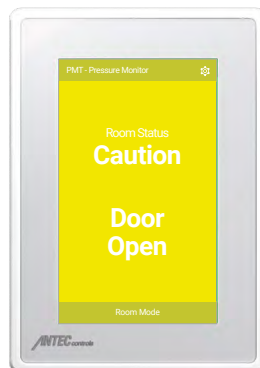
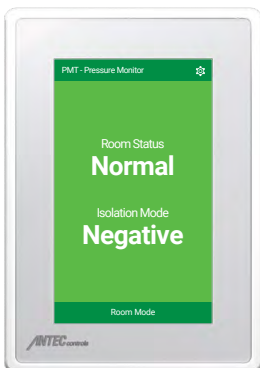
Dual Room



Triple Room

SIMPLE ROOM STATUS INDICATION

The PMT delivers simple and clear room status indication. The illuminated screen and 180° side-view use recognizable colors to provide a quick visual status. For further information, the room status is detailed on the interface.



PMT

Touchscreen Room Pressure Monitor

ENVIRONMENT REPORTING

In addition to measuring room pressure, the PMT can be configured to display environmental readings such as room temperature, relative humidity and air change rate when the information is available on BACnet. Environment readings can be displayed as a single screen or multiple screens.

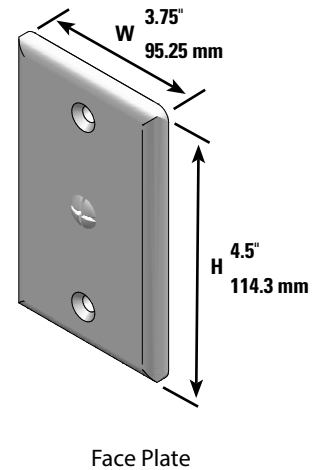
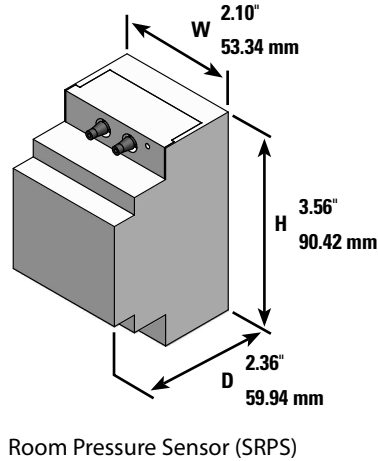
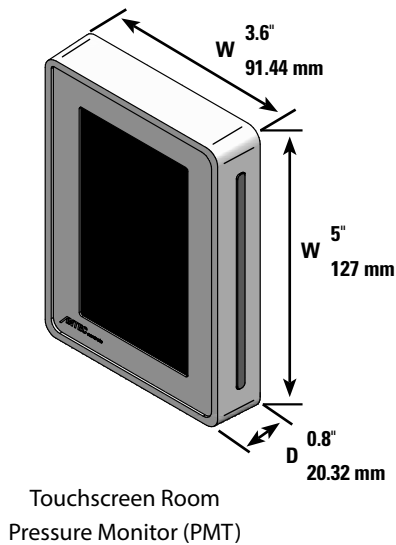


Single screen



Multiple screens

DIMENSIONAL DATA



SPECIFICATIONS

See the latest information located in the product submittal available at www.AntecControls.com



Product Improvement is a continuing endeavour at Antec Controls by Price. Therefore, specifications are subject to change without notice. Consult your Sales Representative for current specifications or more detailed information. Not all products may be available in all geographic areas. All goods described in this document are warranted as described in the Limited Warranty. The complete product catalog can be viewed online at [AntecControls.com](https://www.AntecControls.com)