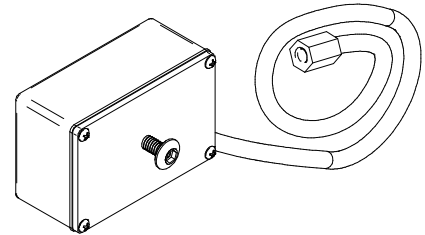
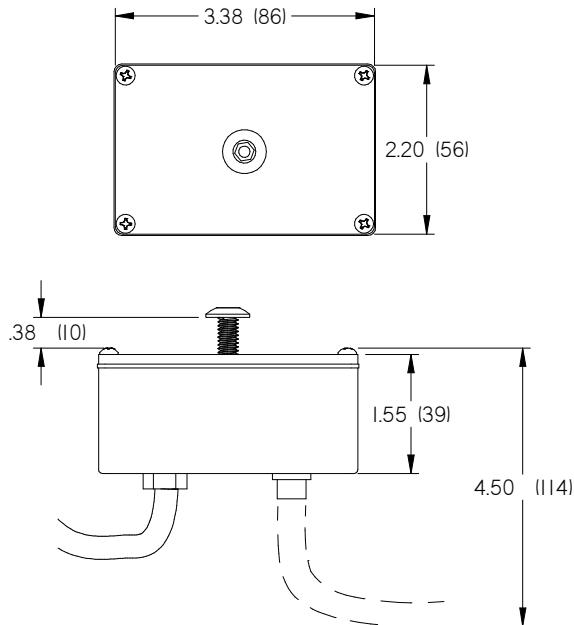


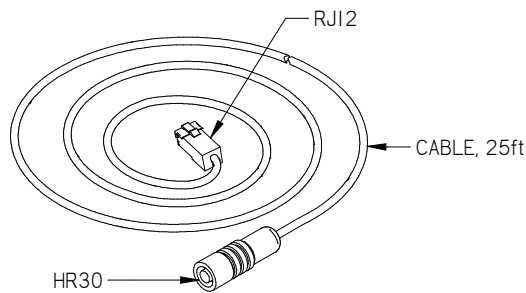
SWS SPECIFICATIONS:	
ENVIRONMENTAL (OPERATING)	32°F to 120°F (0°C to 50°C), 0% to 95% R.H.(NON-CONDENSING)
OUTPUT SIGNAL	DIGITAL
CONNECTION TYPE	CABLE, RJ12 TO HR30 ADAPTER, 25ft
RANGE	±0.1 in.w.c. (25 Pa)
HOUSING	UL 94V - 0, ABS PLASTIC
ACCURACY	3% OF READING



**DIMENSIONS:**



**CONNECTIONS:**



NOTE: PLEASE REFER TO FHC MANUAL FOR INSTALLATION INSTRUCTIONS  
SEE PROJECT SUBMITTAL SCHEDULE FOR SELECTED OPTIONS.

ALL METRIC DIMENSIONS ( ) ARE SOFT CONVERTED. IMPERIAL DIMENSIONS ARE CONVERTED TO METRIC AND ROUNDED TO THE NEAREST MILLIMETER.  
SPECIFICATIONS ARE SUBJECT TO CHANGE WITHOUT NOTICE.