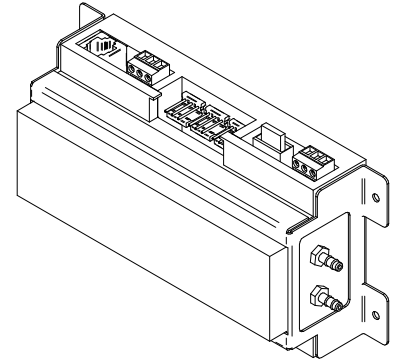
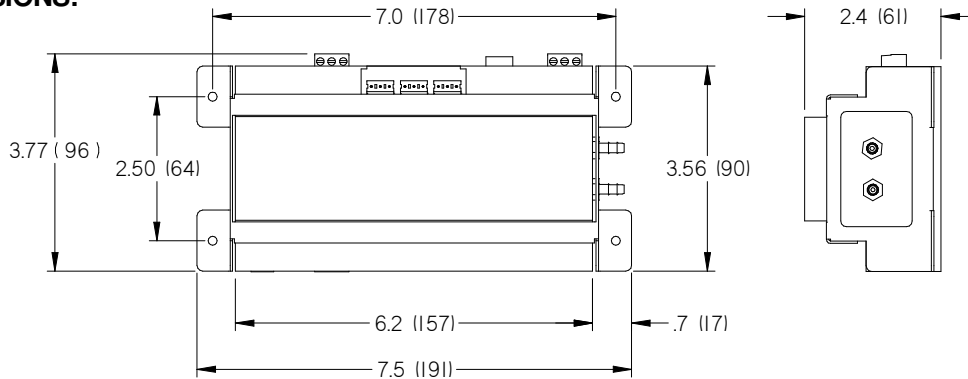


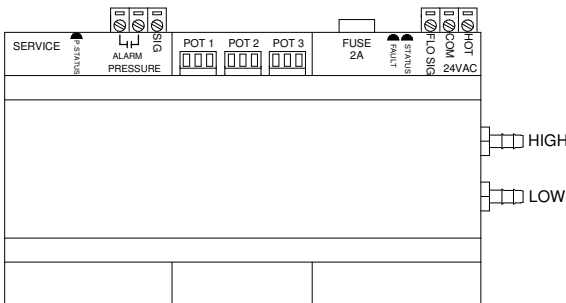
LMX SPECIFICATIONS:	
ENVIRONMENTAL (OPERATING)	50°F to 122°F (10°C to 50°C)
ENVIRONMENTAL (STORAGE)	-22°F to 122°F (-30°C to 50°C)
INPUT POWER	24 VAC +/- 10%, 50/60 Hz, 8 VA, CLASS 2
INPUTS	3 POT INPUTS, 1 TRANSDUCER (0-5 in.w . c.)
OUTPUTS	2 ANALOG OUTPUTS (0 to 10 VDC, MAX:10 mA), FLOW SIGNAL: 2-10 VDC (DEFAULT), RANGE: MIN TO MAX FLOW OF VALVE PRESSURE SIGNAL: 2-10 VDC, RANGE: 0-5 in.w . c. 1 DRY BINARY OUTPUT (MAX: 24 VAC +/- 10%, 100 mA) PRESSURE ALARM STATUS
INDICATORS	STATUS LED, FAULT LED, PRESSURE STATUS LED
HOUSING	UL 94V - 0, ABS PLASTIC



**DIMENSIONS:**



**TERMINATION:**



HOT	INPUT POWER, HOT
COM	INPUT POWER, GROUND
FLO SIG	2-10 VDC (DEFAULT) FLOW SIGNAL (VDC OUTPUT CONFIGURABLE) VALVE CFM RANGE SHOWN ON SPEC LABEL
POT 1 POT 2 POT 3	POTENTIOMETER FEED BACK
SIG	2-10 VDC PRESSURE SIGNAL VALVE PRESSURE [in.w.c] = 0.63 x (SIG[VDC]) - 125
ALARM ALARM	DRY BINARY OUTPUT FOR PRESSURE ALARM STATUS
TRANSDUCER	0-5 in.w.c

**INDICATORS:**

FAULT LED	STATUS LED	P.STATUS	CONDITION
OFF/GREEN	GREEN	N/A	UNIT IS PROPERLY WORKING
RED	GREEN	N/A	EXTERNAL POSITION SENSOR IS DISCONNECTED OR IS OUT OF CALIBRATION RANGE
N/A	ALTERNATING BLUE/YELLOW	N/A	UNIT REQUIRES CALIBRATION
N/A	FLASHING BLUE	N/A	UNIT IS FIELD BALANCED
N/A	SOLID BLUE	N/A	UNIT WAS PREVIOUSLY FIELD BALANCED
N/A	N/A	OFF	PRESSURE IN RANGE
N/A	N/A	RED	PRESSURE OUTSIDE OF RANGE
FLASHING RED	FLASHING RED	FLASHING RED	CORRUPT UNIT

ALL METRIC DIMENSIONS ( ) ARE SOFT CONVERTED. IMPERIAL DIMENSIONS ARE CONVERTED TO METRIC AND ROUNDED TO THE NEAREST MILLIMETER. SPECIFICATIONS ARE SUBJECT TO CHANGE WITHOUT NOTICE.