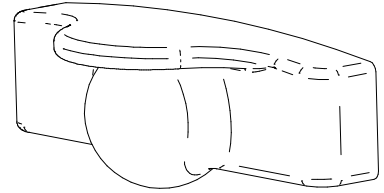
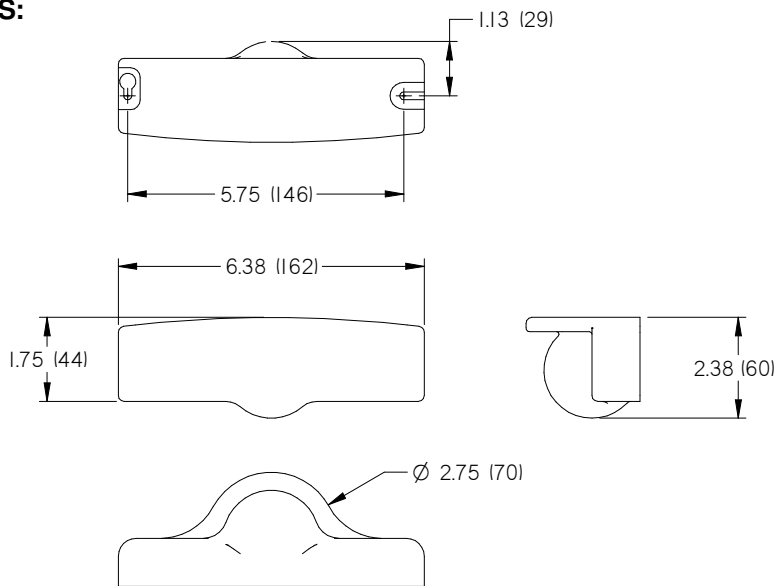


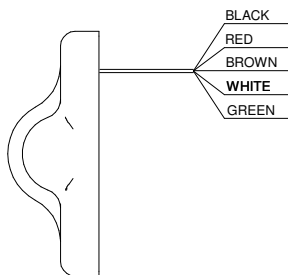
FPS SPECIFICATIONS:	
ENVIRONMENTAL (OPERATING)	50°F to 122°F (10°C to 50°C), 5% to 95% R.H.(NON-CONDENSING)
ENVIRONMENTAL (STORAGE)	-22°F to 122°F (-30°C to 50°C), 0% to 95% R.H.(NON-CONDENSING)
INPUT POWER	24 VAC +/- 10%, 2 VA, CLASS 2
DETECTION	DOPPLER SHIFT RADAR
DETECTION PATTERN	SELECTABLE, WIDE OR NARROW
OUTPUTS	1 BINARY OUTPUT



**DIMENSIONS:**



**TERMINATION:**



BLACK	INPUT POWER, GROUND
RED	INPUT POWER, HOT
BROWN	RELAY, N/O
WHITE	RELAY, COMMON
GREEN	RELAY, N/C

NOTE: PLEASE REFER TO FHC MANUAL FOR INSTALLATION AND SETUP INSTRUCTIONS.  
SEE PROJECT SUBMITTAL SCHEDULE FOR SELECTED OPTIONS.

ALL METRIC DIMENSIONS ( ) ARE SOFT CONVERTED. IMPERIAL DIMENSIONS ARE CONVERTED TO METRIC AND ROUNDED TO THE NEAREST MILLIMETER.  
SPECIFICATIONS ARE SUBJECT TO CHANGE WITHOUT NOTICE.