

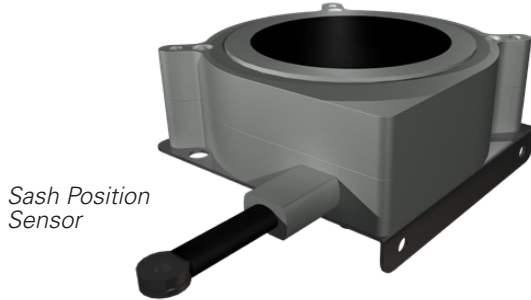
# FHC+

## ACCESSORIES & OPTIONS FOR FUME HOOD CONTROL



### SASH POSITION SENSOR (SPS)

The FHC can deliver fume hood face velocity control through sash position sensing. This control configuration utilizes sash position sensors to calculate and adjust the exhaust airflow based upon the measured sash opening.



*Sash Position Sensor*

### SIDEWALL FACE VELOCITY SENSOR (SWS)

An alternative method to sash position face velocity control is sidewall sensing. The FHC can control face velocity by measuring the differential pressure from the fume hood to the laboratory space and adjusting the exhaust airflow to meet the required face velocity.



*Sidewall face velocity sensor*

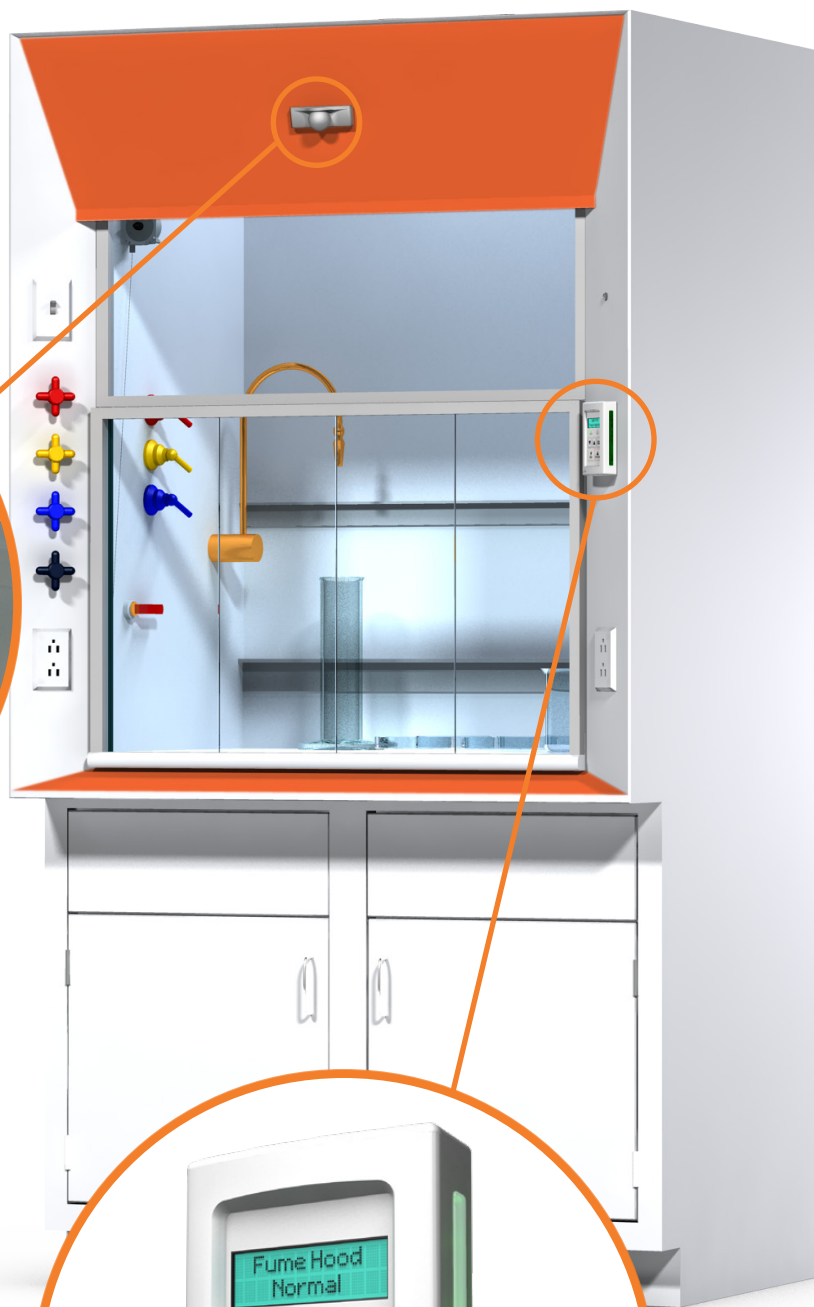
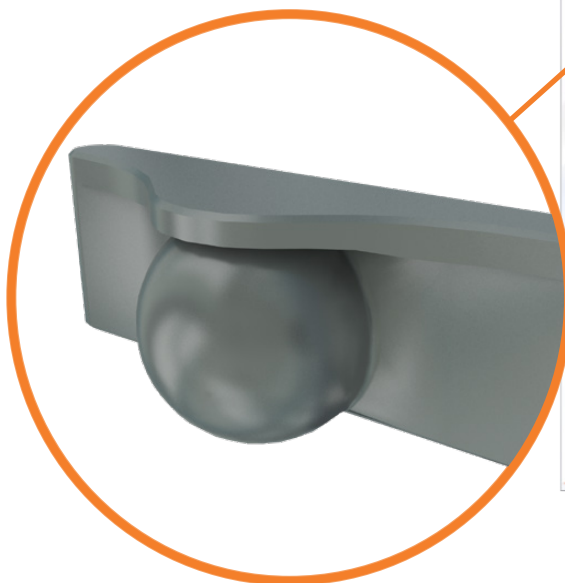
### HYBRID SENSING

Hybrid sensing utilizes both sash position sensing and sidewall sensing technologies to deliver calculated exhaust control with measured face velocity. Once the exhaust flow adjusts for a sash position change, the sidewall sensor monitors face velocity and tracks to meet the required face velocity independent of the sash position sensor.



### PRESENCE SENSING (FPS)

When configured with a Presence Sensor, the FHC can detect user presence and adjust control to meet application needs. The Presence Sensor boasts a low profile while allowing for an adjustable coverage pattern.



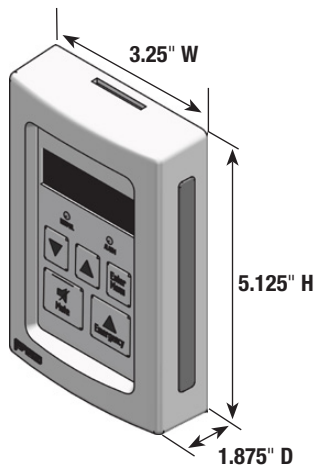
### FACE VELOCITY INDICATION (FHI)

The FHC provides fume hood information locally on the Fume Hood Interface. The illuminated display and 180° side-view use recognizable colors to provide a quick visual status. A password-protected menu allows for full setup or simple set-point adjustments right at the fume hood.

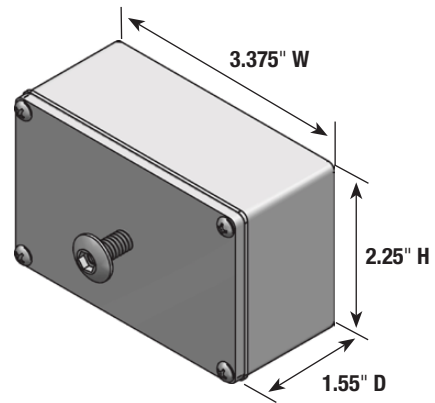


### DIMENSIONAL DATA

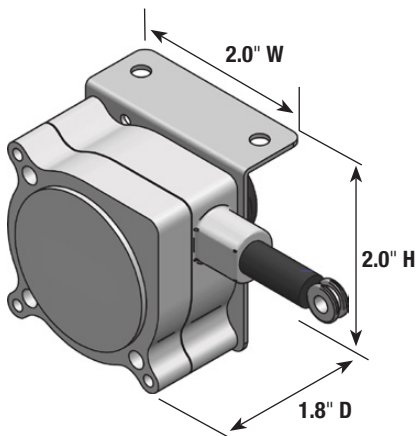
*Fume Hood Interface*



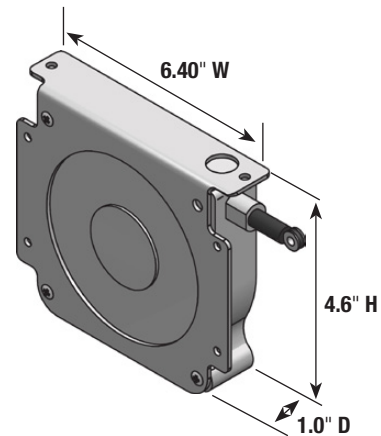
*Sidewall Face Velocity Sensor*



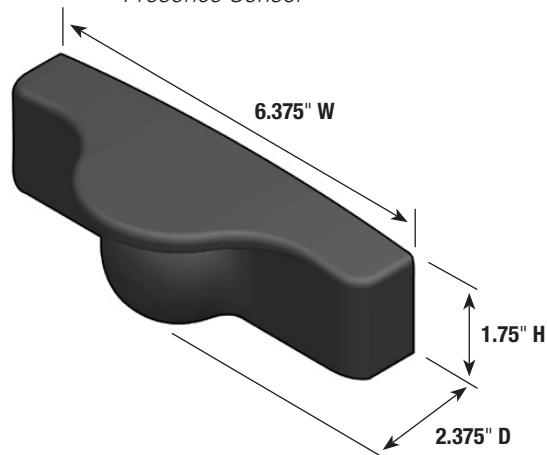
*Sash Position Sensor – 50 inch*



*Sash Position Sensor – 100 inch*



*Presence Sensor*



### SPECIFICATIONS

See the latest information located in the product submittal available at [www.AntecControls.com](http://www.AntecControls.com)



Product Improvement is a continuing endeavour at Antec Controls by Price. Therefore, specifications are subject to change without notice. Consult your Sales Representative for current specifications or more detailed information. Not all products may be available in all geographic areas. All goods described in this document are warranted as described in the Limited Warranty. The complete product catalog can be viewed online at [AntecControls.com](http://AntecControls.com)