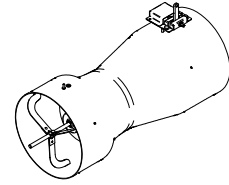


VV SPECIFICATIONS:	
ENVIRONMENTAL (OPERATING)	50°F to 122°F (10°C to 50°C), 5% to 95% R.H.(NON-CONDENSING)
ENVIRONMENTAL (STORAGE)	-22°F to 122°F (-30°C to 50°C), 0% to 95% R.H.(NON-CONDENSING)
VALVE BODY	14 Ga ALUMINUM
CONE	16 Ga ALUMINUM
SHAFT	TEFLON COATED 316 STAINLESS STEEL
SHAFT SUPPORTS	316 STAINLESS STEEL
SHAFT BEARINGS	WEAR-RESISTANT WITH TEFLON ADDITIVE

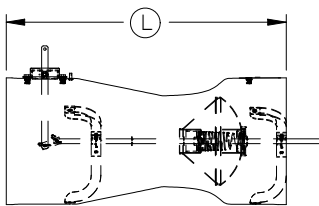


SINGLE VALVE			
UNIT SIZE	D	L	WEIGHT*
	in.(mm)	in.(mm)	lb.(kg)
8	8 (203)	23.50 (597)	19 (9)
10	10 (254)	21.75 (552)	20 (9)
12	12 (305)	27.00 (686)	22 (10)
14	14 (356)	30.00 (762)	24 (11)

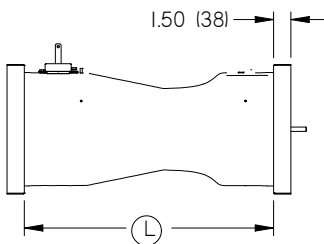
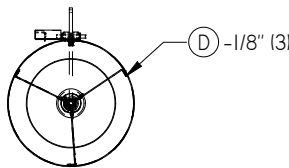
\*WEIGHTS ARE ± 3lbs (1kg) DEPENDING ON OPTIONS

MULTIPLE VALVE				
UNIT SIZE	L	H	W	WEIGHT*
	in.(mm)	in.(mm)	in (mm)	lb (kg)
210	21.75 (552)	11.250 (286)	22.250 (565)	34 (15)
212	27.00 (686)	13.250 (337)	26.250 (667)	40 (18)
214	30.00 (762)	15.250 (387)	30.250 (768)	45 (20)
312	27.00 (686)	13.250 (337)	39.250 (997)	58 (26)
314	30.00 (762)	15.250 (387)	45.250 (1149)	65 (29)
412	27.00 (686)	13.250 (337)	52.500 (1334)	80(36)
414	30.00 (762)	15.250 (387)	60.500 (1537)	95 (43)

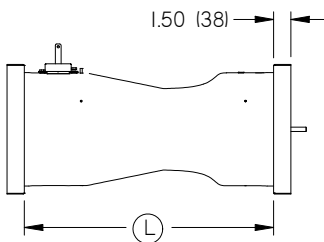
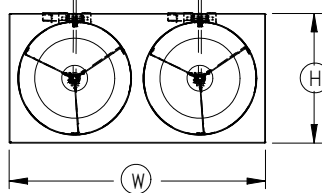
\*WEIGHTS ARE ± 5lbs (2kg) DEPENDING ON OPTIONS



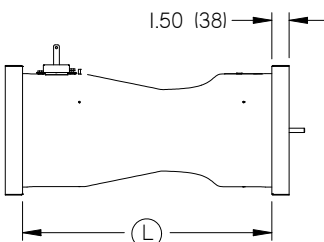
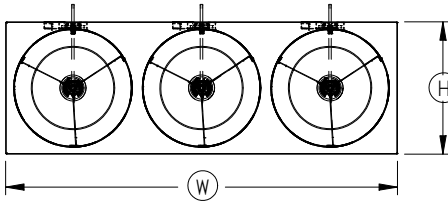
SINGLE VALVE



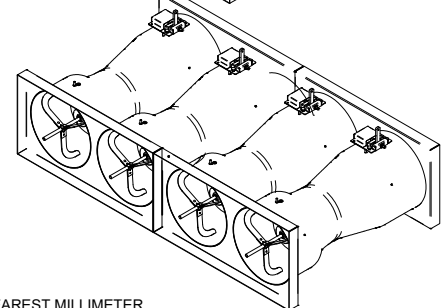
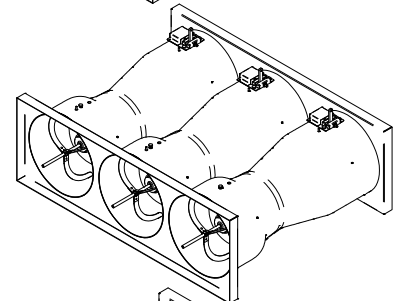
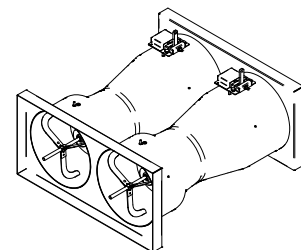
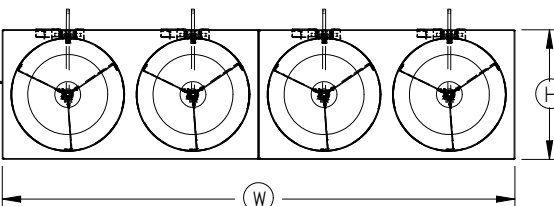
DUAL VALVE



TRIPLE VALVE



QUAD VALVE

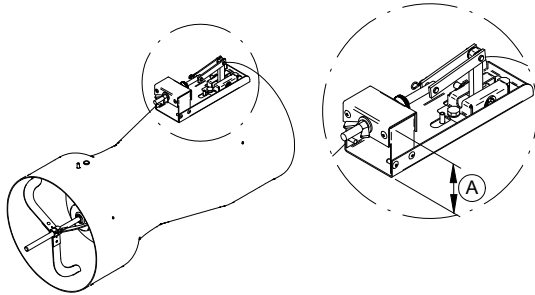


NOTE: SEE PROJECT SUBMITTAL SCHEDULE FOR SELECTED OPTIONS.

ALL METRIC DIMENSIONS ( ) ARE SOFT CONVERTED. IMPERIAL DIMENSIONS ARE CONVERTED TO METRIC AND ROUNDED TO THE NEAREST MILLIMETER. SPECIFICATIONS ARE SUBJECT TO CHANGE WITHOUT NOTICE.

**CONTROL OPTIONS:**

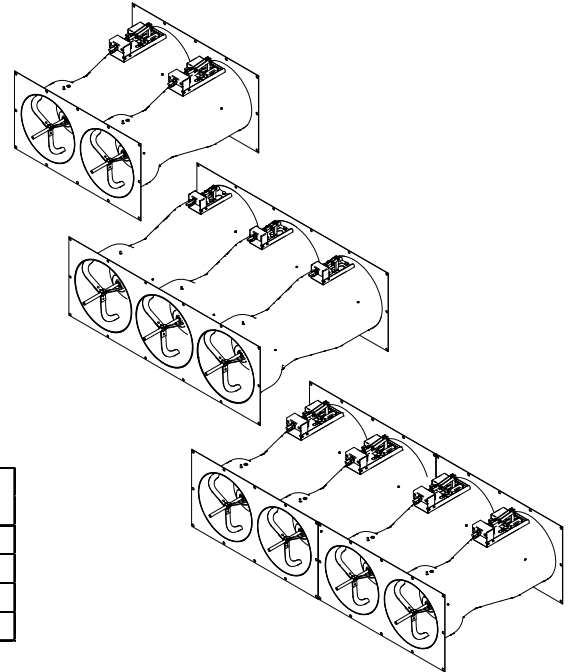
- CONSTANT VOLUME (CV), STANDARD VALVES ONLY



SINGLE VALVE

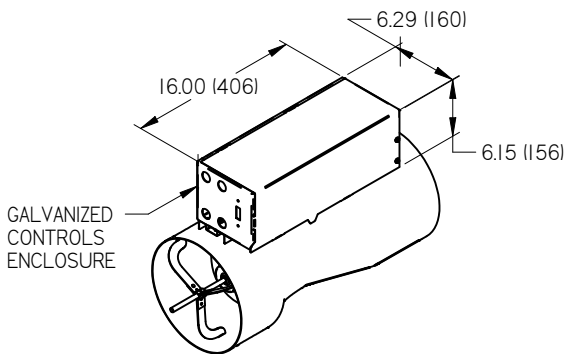
UNIT SIZE	A in (mm)
8	2.375 (60)
10, 210	2.375 (60)
12, 212, 312, 412	3.125 (79)
14, 214, 314, 414	3.125 (79)

**MULTIBODY VALVES  
(FLANGE ENDS CONNECTION SHOWN)**



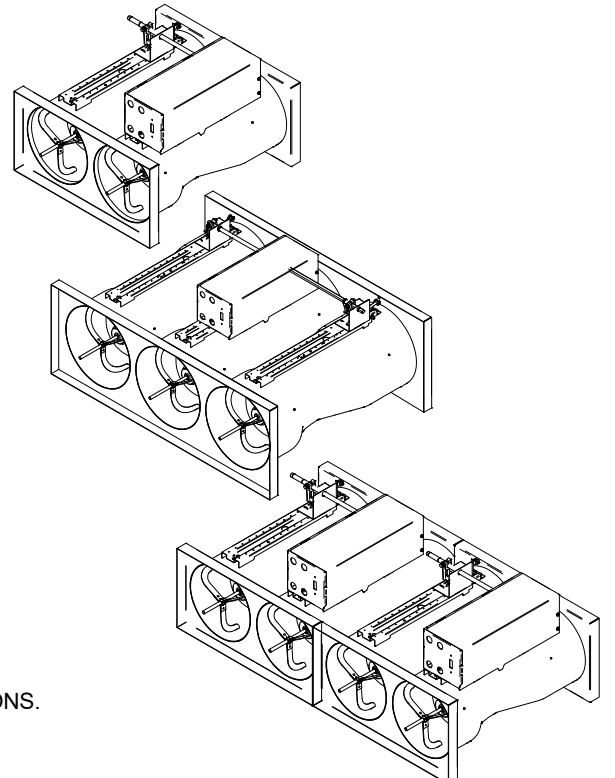
\*QUADS CONSIST OF COMBINING 2 DUALS

- VARIABLE VOLUME (VAV) WITH PACE, FHC OR LMX
- CONSTANT VOLUME (CV) WITH FHC, LMX OR VPS



SINGLE VALVE

**MULTIBODY VALVES  
(SLIP ENDS CONNECTION SHOWN)**



\*QUADS CONSIST OF COMBINING 2 DUALS

NOTE: PLEASE REFER TO VV MANUAL FOR INSTALLATION INSTRUCTIONS.  
SEE PROJECT SUBMITTAL SCHEDULE FOR SELECTED OPTIONS.

ALL METRIC DIMENSIONS ( ) ARE SOFT CONVERTED. IMPERIAL DIMENSIONS ARE CONVERTED TO METRIC AND ROUNDED TO THE NEAREST MILLIMETER. SPECIFICATIONS ARE SUBJECT TO CHANGE WITHOUT NOTICE.

**BODY TYPE AND PRESSURE RANGE OPTIONS:**

STANDARD VENTURI VALVE (VV)

MEDIUM PRESSURE (M) -  
0.6 to 3.0 in.w.c. (150-750 Pa),  
MEASURED ACROSS VALVE

SINGLE VALVE			MULTIPLE VALVE		
UNIT SIZE	MIN. AIRFLOW	MAX AIRFLOW	UNIT SIZE	MIN. AIRFLOW	MAX AIRFLOW
	CFM (L/s)	CFM (L/s)		CFM (L/s)	CFM (L/s)
8	35 (17)	700 (330)	210	100 (48)	2000 (944)
10	50 (24)	1000 (472)	212	180 (84)	3000 (1416)
12	90 (42)	1500 (708)	214	400 (188)	5000 (2360)
14	200 (94)	2500 (1180)	312	270 (126)	4500 (2124)
			314	600 (282)	7500 (3540)
			412	360 (168)	6000 (2832)
			414	800 (376)	10000 (4720)

LOW PRESSURE (L) -  
0.3 to 3.0 in.w.c. (75-750 Pa),  
MEASURED ACROSS VALVE

SINGLE VALVE			MULTIPLE VALVE		
UNIT SIZE	MIN. AIRFLOW	MAX AIRFLOW	UNIT SIZE	MIN. AIRFLOW	MAX AIRFLOW
	CFM (L/s)	CFM (L/s)		CFM (L/s)	CFM (L/s)
8	35 (17)	500 (236)	210	100 (48)	1100 (519)
10	50 (24)	550 (260)	212	180 (84)	2400 (1132)
12	90 (42)	1200 (566)	214	400 (188)	2800 (1320)
14	200 (94)	1400 (660)	312	270 (126)	3600 (1699)
			314	600 (282)	4200 (1980)
			412	360 (168)	4800 (2264)
			414	800 (376)	5600 (2640)

SHUTOFF VENTURI VALVE (SSO)

STANDARD LEAKAGE - METAL TO METAL SEAL  
TO SHUT OFF AIRFLOW

MEDIUM PRESSURE (M) -  
0.6 to 3.0 in.w.c. (150-750 Pa),  
MEASURED ACROSS VALVE

SINGLE VALVE			MULTIPLE VALVE		
UNIT SIZE	MIN. AIRFLOW	MAX AIRFLOW	UNIT SIZE	MIN. AIRFLOW	MAX AIRFLOW
	CFM (L/s)	CFM (L/s)		CFM (L/s)	CFM (L/s)
8	35 (17)	600 (283)	210	100 (48)	1700 (802)
10	50 (24)	850 (401)	212	180 (84)	2600 (1227)
12	90 (42)	1300 (614)	214	400 (188)	3000 (1415)
14	200 (94)	1500 (708)	312	270 (126)	3900 (1842)
			314	600 (282)	4500 (2167)
			412	360 (168)	5200 (2454)
			414	800 (376)	6000 (2830)

LOW PRESSURE (L) -  
0.3 to 3.0 in.w.c. (75-750 Pa),  
MEASURED ACROSS VALVE

SINGLE VALVE			MULTIPLE VALVE		
UNIT SIZE	MIN. AIRFLOW	MAX AIRFLOW	UNIT SIZE	MIN. AIRFLOW	MAX AIRFLOW
	CFM (L/s)	CFM (L/s)		CFM (L/s)	CFM (L/s)
8	35 (17)	400 (188)	210	100 (48)	1100 (519)
10	50 (24)	550 (260)	212	180 (84)	1800 (840)
12	90 (42)	900 (424)	312	270 (126)	2700 (1260)
			412	360 (168)	3600 (1680)

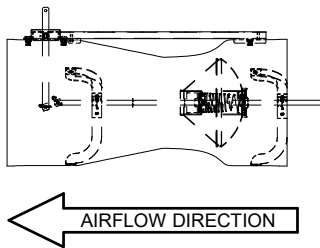
\*SIZE 14, 214, 314 & 414 LOW PRESSURE VALVES ARE NOT AVAILABLE

NOTE: PLEASE REFER TO VV MANUAL FOR INSTALLATION INSTRUCTIONS.  
SEE PROJECT SUBMITTAL SCHEDULE FOR SELECTED OPTIONS.

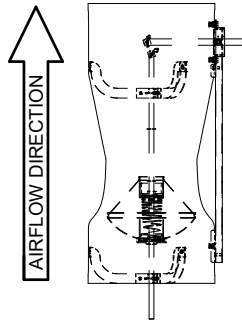
ALL METRIC DIMENSIONS ( ) ARE SOFT CONVERTED. IMPERIAL DIMENSIONS ARE CONVERTED TO METRIC AND ROUNDED TO THE NEAREST MILLIMETER.  
SPECIFICATIONS ARE SUBJECT TO CHANGE WITHOUT NOTICE.

### AIRFLOW ORIENTATION OPTIONS

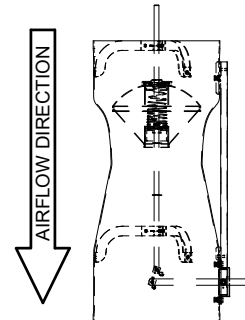
HORIZONTAL (H) VALVE



VERTICAL UP (VU) VALVE -  
STANDARD VALVES ONLY



VERTICAL DOWN (VD) VALVE -  
STANDARD VALVES ONLY



### ACTUATOR FAIL SAFE OPTIONS

- FAIL IN PLACE (FLP)
- FAIL OPEN POSITION (FOP)
- FAIL CLOSED POSITION (FCP)

### ACTUATOR SPEED OPTIONS

- STANDARD SPEED (SSA)
- HIGH SPEED (HSA)

### INSULATION OPTION

- 3/4" EXTERNAL FIBER FREE FOAM INSULATION (IN)

### COATING OPTIONS

- PHENOLIC COATING (P1) -  
VALVE BODY & PLUNGER
- PHENOLIC COATING (P2) - VALVE BODY & INTERNALS,  
ALL HARDWARE TEFLON COATED  
STANDARD VALVES ONLY
- KYNAR COATING PVDF (K), - VALVE BODY & INTERNALS,  
ALL HARDWARE TEFLON COATED  
STANDARD VALVES ONLY

NOTE: PLEASE REFER TO VV MANUAL FOR INSTALLATION INSTRUCTIONS.  
SEE PROJECT SUBMITTAL SCHEDULE FOR SELECTED OPTIONS.

ALL METRIC DIMENSIONS ( ) ARE SOFT CONVERTED. IMPERIAL DIMENSIONS ARE CONVERTED TO METRIC AND ROUNDED TO THE NEAREST MILLIMETER.  
SPECIFICATIONS ARE SUBJECT TO CHANGE WITHOUT NOTICE.

**CONNECTION OPTIONS**

- SLIP CONNECTION (SL) - VALVE SLIPPED WITH 1" OVERLAP, ALL SIZES

SLIP END SPECIFICATIONS, SINGLE VALVE

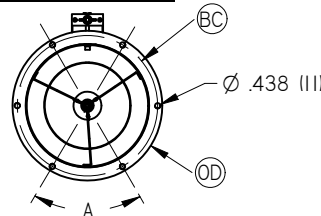
UNIT SIZE	DUCT	
	in. (mm)	
8	Ø 8" (203)	
10	Ø 10" (254)	
12	Ø 12" (305)	
14	Ø 14" (356)	

SLIP END SPECIFICATIONS, MULTIBODY VALVE

UNIT SIZE	DUCT	
	in. (mm)	
210	22"(559) x 11"(279)	
212	26"(660) x 13"(330)	
214	30"(762) x 15"(381)	
312	39"(991) x 13"(330)	
314	45"(1143) x 15"(381)	
412	52"(1320) x 13"(330)	
414	60"(1524) x 15"(381)	

- FLANGED CONNECTION (FL), ALL SIZES

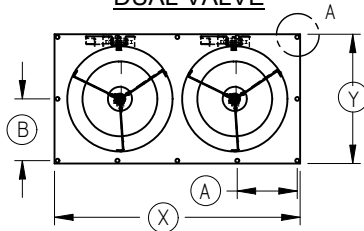
SINGLE VALVE



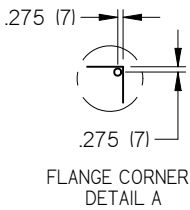
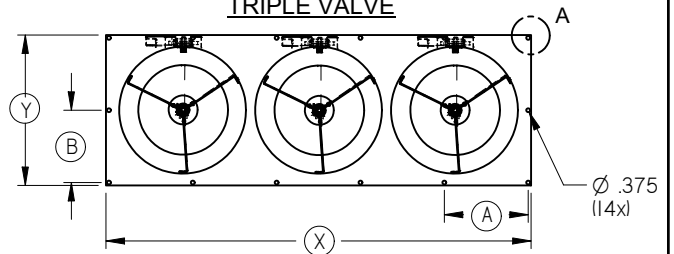
FLANGED END SPECIFICATIONS, SINGLE VALVE

UNIT SIZE	NUMBER OF BOLT HOLES	BC	OD	A
		in. (mm)	in. (mm)	Degrees
8	6	Ø 9.25" (235)	Ø 10" (254)	60
10	6	Ø 11.25" (286)	Ø 12" (305)	60
12	6	Ø 13.25" (337)	Ø 15" (381)	60
14	8	Ø 15.75" (400)	Ø 17" (432)	45

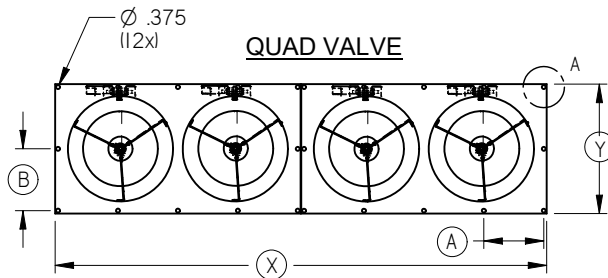
DUAL VALVE



TRIPLE VALVE



QUAD VALVE



FLANGED END SPECIFICATIONS, MULTIBODY VALVE

UNIT SIZE	X	Y	A	B
	in. (mm)	in. (mm)	in. (mm)	in. (mm)
210	23.250 (591)	12.250 (311)	5.675 (144)	5.850 (149)
212	27.250 (692)	14.250 (362)	6.675 (170)	6.850 (174)
214	31.250 (794)	16.250 (413)	7.675 (195)	7.850 (199)
312	40.250 (1022)	14.250 (362)	7.940 (202)	6.850 (174)
314	46.250 (1175)	16.250 (413)	7.617 (193)	7.850 (199)
412	54.500 (1384)	14.250 (362)	6.675 (170)	6.850 (174)
414	62.500 (1588)	16.250 (413)	7.675 (195)	7.850 (199)

NOTE: PLEASE REFER TO VV MANUAL FOR INSTALLATION INSTRUCTIONS.  
SEE PROJECT SUBMITTAL SCHEDULE FOR SELECTED OPTIONS.

ALL METRIC DIMENSIONS ( ) ARE SOFT CONVERTED. IMPERIAL DIMENSIONS ARE CONVERTED TO METRIC AND ROUNDED TO THE NEAREST MILLIMETER.  
SPECIFICATIONS ARE SUBJECT TO CHANGE WITHOUT NOTICE.