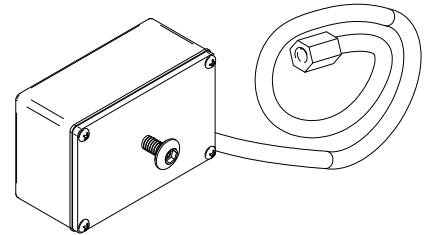
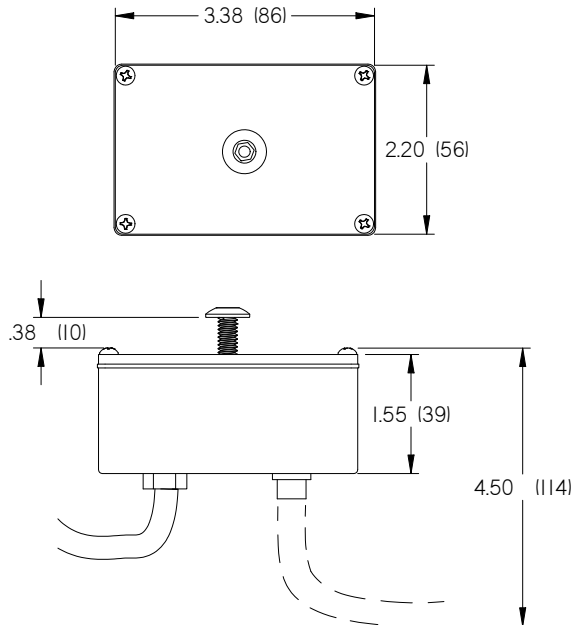


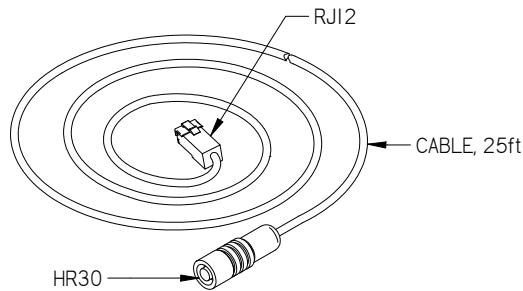
SWS SPECIFICATIONS:	
ENVIRONMENTAL (OPERATING)	32°F to 120°F (0°C to 50°C), 0% to 95% R.H.(NON-CONDENSING)
OUTPUT SIGNAL	DIGITAL
CONNECTION TYPE	CABLE, RJ12 TO HR30 ADAPTER, 25ft
RANGE	±0.1 in.w.c. (25 Pa)
HOUSING	UL 94V - 0, ABS PLASTIC
ACCURACY	3% OF READING



DIMENSIONS:



CONNECTIONS:



NOTE: PLEASE REFER TO FHC MANUAL FOR INSTALLATION INSTRUCTIONS
SEE PROJECT SUBMITTAL SCHEDULE FOR SELECTED OPTIONS.

ALL METRIC DIMENSIONS () ARE SOFT CONVERTED. IMPERIAL DIMENSIONS ARE CONVERTED TO METRIC AND ROUNDED TO THE NEAREST MILLIMETER.