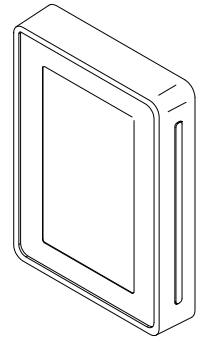
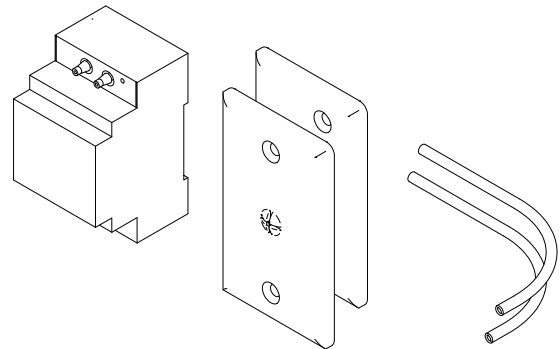


| MONITOR SPECIFICATIONS: | |
|---------------------------|--|
| ENVIRONMENTAL (OPERATING) | 50°F to 95°F (10°C to 35°C), 0% to 95% R.H.(NON-CONDENSING) |
| ENVIRONMENTAL (STORAGE) | -22°F to 122°F (-30°C to 50°C), 0% to 95% R.H.(NON-CONDENSING) |
| INPUT POWER | 24 VAC +/- 10%, 50/60 Hz, 34 VA (EXTERNAL LOADS NOT INCLUDED), CLASS 2 |
| INPUTS | 1 BINARY INPUT, 1 BINARY/ANALOG INPUT, 1 SENSOR INFORMATION NETWORK INPUT |
| OUTPUTS | 2 ANALOG OUTPUTS (0 to 10 VDC, MAX:10 mA), 1 DRY BINARY OUTPUT (MAX: 24 VAC/VDC, 100 mA) |
| DISPLAY TYPE | CAPACITIVE TOUCH, 4.3in.(109mm) TFT/IPS, DIMMABLE |
| RESOLUTION | WVGA RGB 480px x 800px |
| COMMUNICATION PROTOCOL | BACNET MS/TP |



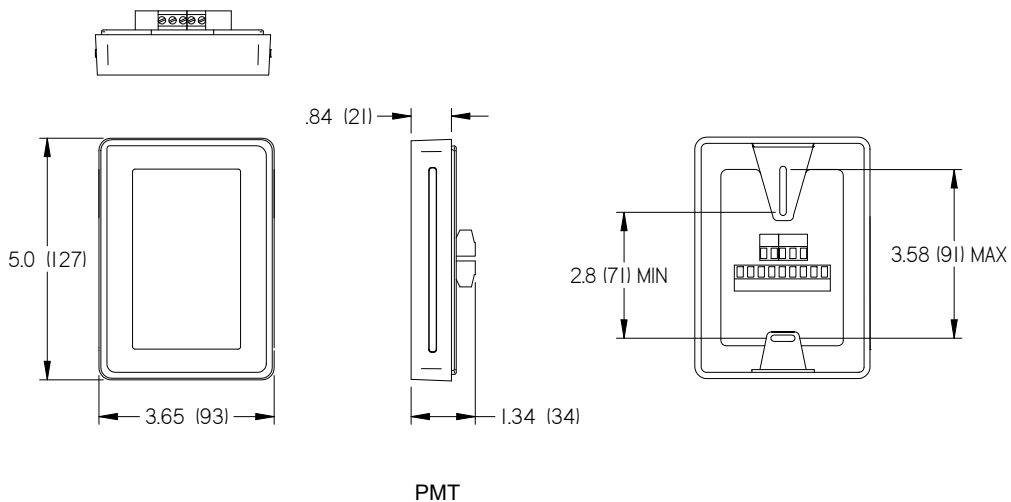
| ROOM PRESSURE SENSOR (SRPS) SPECIFICATIONS: | |
|---|--|
| ENVIRONMENTAL (OPERATING) | 50°F TO 95°F (10°C TO 35°C) 0% TO 95% R.H.(NON-CONDENSING) |
| ENVIRONMENTAL (STORAGE) | -22°F TO 122°F (-30°C TO 50°C) 0% TO 95% R.H.(NON-CONDENSING) |
| INPUT POWER | POWERED FROM PMT |
| RANGE | +/- 0.1 in.w.c. (+/- 25 Pa) |
| ACCURACY | 3% OF READING |
| PRESSURE TUBING | 24"(588mm) LONG, BLACK, FIRE-RATED |
| FACE PLATE | ABS PLASTIC, WHITE |



ROOM PRESSURE SENSORS:

- ONE SIN ROOM PRESSURE SENSOR (SRPS1)
- TWO SIN ROOM PRESSURE SENSORS (SRPS2)
- THREE SIN ROOM PRESSURE SENSORS (SRPS3)

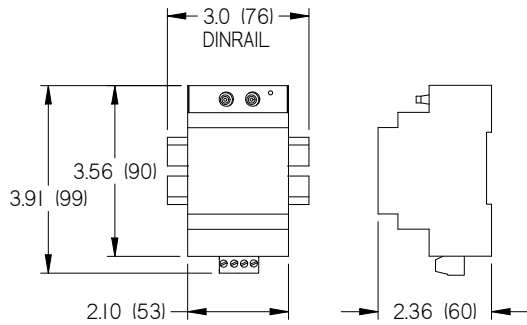
DIMENSIONS:



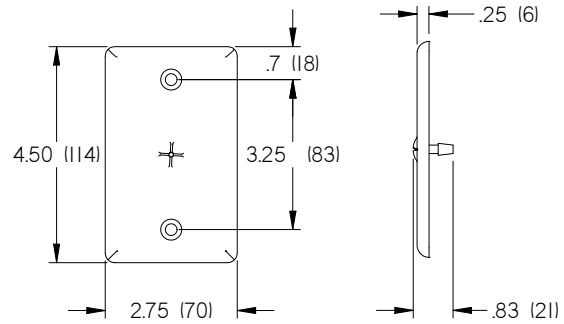
NOTE: PLEASE REFER TO PMT MANUAL FOR INSTALLATION AND SETUP INSTRUCTIONS.
SEE PROJECT SUBMITTAL SCHEDULE FOR SELECTED OPTIONS.

ALL METRIC DIMENSIONS () ARE SOFT CONVERTED. IMPERIAL DIMENSIONS ARE CONVERTED TO METRIC AND ROUNDED TO THE NEAREST MILLIMETER.

DIMENSIONS (CONTINUED):

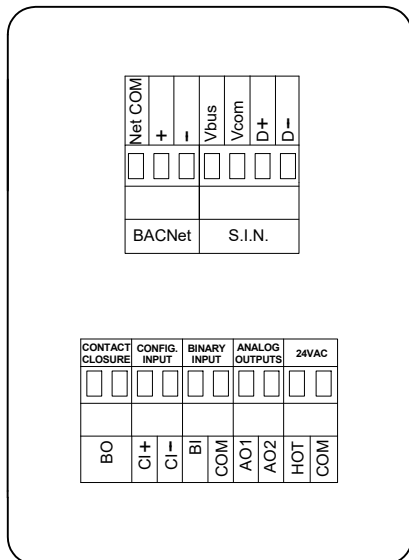


SRPS



FACE
PLATE

TERMINATION:



| | |
|---------|---------------------------|
| HOT | INPUT POWER, HOT |
| COM | INPUT POWER, GROUND |
| AO1 | ANALOG OUTPUT |
| AO2 | ANALOG OUTPUT |
| BI | BINARY INPUT |
| COM | |
| CI+ | CONFIGURABLE INPUT |
| CI- | |
| BO | DRY CONTACT BINARY OUTPUT |
| Vbus | S.I.N. POWER |
| Vcom | S.I.N. GROUND |
| D+ | S.I.N. NET + |
| D- | S.I.N. NET - |
| + | BACNet NET + |
| - | BACNet NET - |
| Net COM | BACNet NET COM |

NOTE: PLEASE REFER TO PMT MANUAL FOR INSTALLATION AND SETUP INSTRUCTIONS.
SEE PROJECT SUBMITTAL SCHEDULE FOR SELECTED OPTIONS.

ALL METRIC DIMENSIONS () ARE SOFT CONVERTED. IMPERIAL DIMENSIONS ARE CONVERTED TO METRIC AND ROUNDED TO THE NEAREST MILLIMETER.



Touchscreen Room Pressure Monitor

PMT-1-X
Sheet 3 of 5

Product Submittal

270120
Rev. C
2019/01/14

| BACNET POINTS LIST v2.2.X | | | | | | | |
|--|--------------------------------|----------------|------------------------------|--|----------------|----------|------|
| Object | Name | Units | Range | Description | Write Settings | | |
| | | | | | Disabled | Standard | Open |
| ANALOG INPUTS | | | | | | | |
| AI1 | Room Pressure 1 | in.w.c. / Pa | -0.1 to +0.1 | Pressure reading of the monitored room using SRPS1 | R | R | R |
| AI2 | Room Pressure 2 | in.w.c. / Pa | -0.1 to +0.1 | Pressure reading of the monitored room using SRPS2 (Only available when SRPS2 connected) | R | R | R |
| AI3 | Room Pressure 3 | in.w.c. / Pa | -0.1 to +0.1 | Pressure reading of the monitored room using SRPS3 (Only available when SRPS3 connected) | R | R | R |
| BINARY INPUTS | | | | | | | |
| BI1 | Binary Input 1 - [usage] | - | Open / Closed | The Binary Input can be configured to several types of input signals. See <i>Input</i> section of PMT manual for options | R | R | R |
| MULTISTATE INPUTS | | | | | | | |
| MI1 | Configurable Input 1 - [usage] | Based on usage | 2 or 3 States based on usage | The Configurable Input can be configured to several types of input signals. See <i>Input</i> section of PMT manual for options | R | R | R |
| ANALOG OUTPUTS | | | | | | | |
| AO1 | Analog Output 1 | VDC | 0-10 | Analog Output 1 can be configured to provide VDC output for several different values. See <i>Output</i> section of PMT manual for options | R | W | W |
| AO2 | Analog Output 2 | VDC | 0-10 | Analog Output 2 can be configured to provide VDC output for several different values. See <i>Output</i> section of PMT manual for options | R | W | W |
| BINARY OUTPUTS | | | | | | | |
| BO1 | Binary Output 1 | - | On / Off | Binary Output 1 can be configured to provide 24VAC output for several different values. See <i>Output</i> section of PMT manual for options | R | W | W |
| ANALOG VALUE | | | | | | | |
| AV1 | Room Low Pressure Alarm 1 | in.w.c. / Pa | 0 to AV2 or AV2 to 0 | Alarm trip point of Low Pressure Alarm for the room using SRPS1 (Value will change sign if the room is configured for a Negative or Positive mode) | R | R | W |
| AV2 | Room High Pressure Alarm 1 | in.w.c. / Pa | AV1 to 0.1 or 0 to AV1 | Alarm trip point of High Pressure Alarm for the room using SRPS1 (Value will change sign if the room is configured for a Negative or Positive mode) | R | R | W |
| AV3 | Room Low Pressure Alarm 2 | in.w.c. / Pa | 0 to AV4 or AV4 to 0 | Alarm trip point of Low Pressure Alarm for the room using SRPS2 (Value will change sign if the room is configured for a Negative or Positive mode) | R | R | W |
| NOTE: UNITS IN TABLE ARE SHOWN IN IMPERIAL. THE UNITS WILL CONVERT TO METRIC WITH CORRESPONDING RANGES IF METRIC UNITS ARE SELECTED IN THE USER PREFERENCE MENU. | | | | | | | |



Touchscreen Room Pressure Monitor

PMT-1-X
Sheet 4 of 5

270120
Rev. C
2019/01/14

Product Submittal

| BACNET POINTS LIST v2.2.X (CONTINUED) | | | | | | | |
|--|-----------------------------------|--------------|------------------------|---|----------------|----------|------|
| Object | Name | Units | Range | Description | Write Settings | | |
| | | | | | Disabled | Standard | Open |
| AV4 | Room High Pressure Alarm 2 | in.w.c. / Pa | AV3 to 0.1 or 0 to AV3 | Alarm trip point of High Pressure Alarm for the room using SRPS2 (Value will change sign if the room is configured for a Negative or Positive mode) | R | R | W |
| AV5 | Room Low Pressure Alarm 3 | in.w.c. / Pa | 0 to AV6 or AV6 to 0 | Alarm trip point of Low Pressure Alarm for the room using SRPS3 (Value will change sign if the room is configured for a Negative or Positive mode) | R | R | W |
| AV6 | Room High Pressure Alarm 3 | in.w.c. / Pa | AV5 to 0.1 or 0 to AV5 | Alarm trip point of High Pressure Alarm for the room using SRPS3 (Value will change sign if the room is configured for a Negative or Positive mode) | R | R | W |
| AV7 | Room 1 Temperature - BACnet | °F / °C | 0 - 200 | Room 1 Temperature reading from other BACnet device | R | R | R |
| AV8 | Room 1 Relative Humidity - BACnet | % R.H. | 0 - 100 | Room 1 Relative Humidity reading from other BACnet device | R | R | R |
| AV9 | Room 1 Air Change Rate - BACnet | A.C.H. | 0 - 100 | Room 1 Air Change Rate reading from other BACnet device | R | R | R |
| AV10 | Room 2 Temperature - BACnet | °F / °C | 0 - 200 | Room 2 Temperature reading from other BACnet device | R | R | R |
| AV11 | Room 2 Relative Humidity - BACnet | % R.H. | 0 - 100 | Room 2 Relative Humidity reading from other BACnet device | R | R | R |
| AV12 | Room 2 Air Change Rate - BACnet | A.C.H. | 0 - 100 | Room 2 Air Change Rate reading from other BACnet device | R | R | R |
| AV13 | Room 3 Temperature - BACnet | °F / °C | 0 - 200 | Room 3 Temperature reading from other BACnet device | R | R | R |
| AV14 | Room 3 Relative Humidity - BACnet | % R.H. | 0 - 100 | Room 3 Relative Humidity reading from other BACnet device | R | R | R |
| AV15 | Room 3 Air Change Rate - BACnet | A.C.H. | 0 - 100 | Room 3 Air Change Rate reading from other BACnet device | R | R | R |
| MULTISTATE VALUES | | | | | | | |
| MV1 | Status | Text | 4 States | Displays the current status of all rooms. (Value will change sign if any room changes status) 1 - Normal 2 - Caution 3 - Alarm 4 - Setback | R | R | R |
| MV2 | Status Override | Text | 5 States | Indicates whether the PMT has been override to a specific mode 1 - No Override 2 - Force Isolation 3 - Force Caution 4 - Force Alarm 5 - Force Setback | R | R | W |
| MV3 | Room Isolation Mode 1 | Text | 2 states | Indicates the isolation mode of room using SRPS1 1 - Positive 2 - Negative | R | R | W |
| NOTE: UNITS IN TABLE ARE SHOWN IN IMPERIAL. THE UNITS WILL CONVERT TO METRIC WITH CORRESPONDING RANGES IF METRIC UNITS ARE SELECTED IN THE USER PREFERENCE MENU. | | | | | | | |



| BACNET POINTS LIST v2.2.X (CONTINUED) | | | | | | | |
|---------------------------------------|-----------------------|-------|----------|--|----------------|----------|------|
| Object | Name | Units | Range | Description | Write Settings | | |
| | | | | | Disabled | Standard | Open |
| MV4 | Room Isolation Mode 2 | Text | 2 states | Indicates the isolation mode of room using SRPS2 1 - Positive 2 - Negative | R | R | W |
| MV5 | Room Isolation Mode 3 | Text | 2 states | Indicates the isolation mode of room using SRPS3 1 - Positive 2 - Negative | R | R | W |
| MV6 | Alarm Status | Text | 7 states | Indicates the reason for any alarm that may be present 1 - No Alarm 2 - Network Override 3 - Contact Input 4 - Missing Sensor 5 - Room Low Pressure 6 - Room High Pressure 7 - Extended Door Open | R | R | R |
| MV7 | Caution Status | Text | 7 states | Indicates the reason for any caution that may be present 1 - No Caution 2 - Network Override 3 - Contact Input 4 - Door Open 5 - Room Low Pressure 6 - Room High Pressure 7 - Missing Sensor | R | R | R |

NOTE: PLEASE REFER TO PMT MANUAL FOR INSTALLATION AND SETUP INSTRUCTIONS.
SEE PROJECT SUBMITTAL SCHEDULE FOR SELECTED OPTIONS.

ALL METRIC DIMENSIONS () ARE SOFT CONVERTED. IMPERIAL DIMENSIONS ARE CONVERTED TO METRIC AND ROUNDED TO THE NEAREST MILLIMETER.