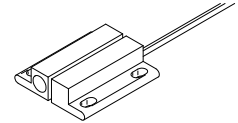
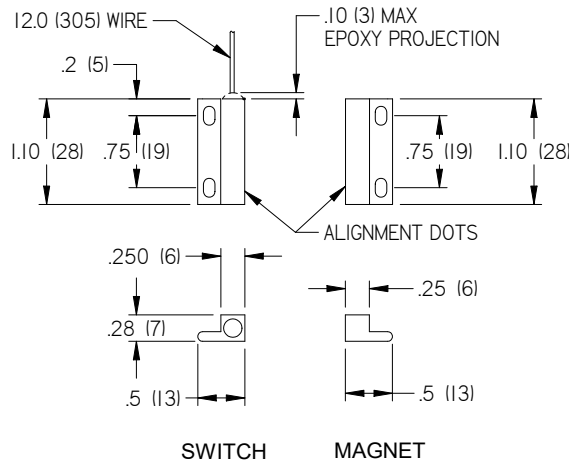


SURFACE MOUNT (S)

DCS-S SPECIFICATIONS:	
ENVIRONMENTAL (OPERATING)	-40°F to 212°F (-40°C to 100°C)
CONTACT RATING	3.0W max. @ 30VDC or 30VAC @ 0.3AMP max.; 10 msec max. OPERATE TIME; 1.0AMP max. CARRY CURRENT
CONTACT RESISTANCE	100 mΩ max. INITIAL
STANDARD GAP	1.0in. (25mm)
ELECTRICAL CIRCUIT	SPST NORMALLY OPEN (CONTACT FORM A). REED SWITCH OPENS WHEN MAGNET IS REMOVED FROM PROXIMITY. CONTACTS ARE HELD CLOSED WHEN MAGNET IS WITHIN ACTUATION RANGE
HOUSING	UL 94 V-0, ABS PLASTIC, WHITE
CONNECTION	WIRE LEADS: UL1061 / UL1007 / UL2468. WIRES 22AWG, STRANDED, COPPER OR ALUMINUM, 12in.(305) LONG WITH STRIPPED ENDS, WHITE
ADHESIVE MOUNTING	FOAM-BACKED, PRESSURE SENSITIVE ADHESIVE WITH RELEASE LINER
RATING	UL RATED



DIMENSIONS:

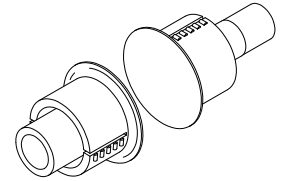


NOTE: SEE PROJECT SUBMITTAL SCHEDULE FOR SELECTED OPTIONS.

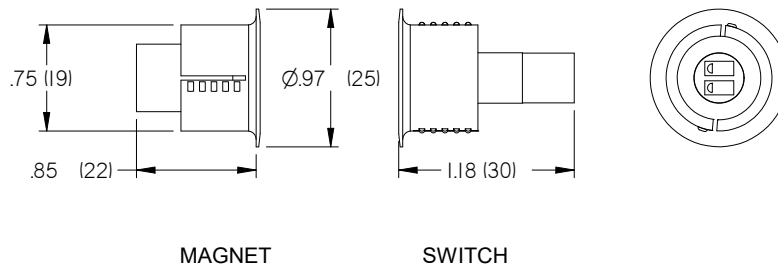
ALL METRIC DIMENSIONS () ARE SOFT CONVERTED. IMPERIAL DIMENSIONS ARE CONVERTED TO METRIC AND ROUNDED TO THE NEAREST MILLIMETER.

FLUSH MOUNT (F)

DCS-F SPECIFICATIONS:	
ENVIRONMENTAL (OPERATING)	-40°F to 140°F (-40°C to 60°C)
CONTACT RATING	10.0W max. @ 100VDC or 110VAC @ 0.5AMP max. 0.5AMP max. CARRY CURRENT
CONTACT RESISTANCE	100 mΩ max. INITIAL
STANDARD GAP	1.1in. (28mm)
ELECTRICAL CIRCUIT	REED FORM NORMALLY OPEN REED SWITCH CLOSSES WHEN MAGNET IS REMOVED FROM PROXIMITY. CONTACTS ARE HELD CLOSED WHEN MAGNET IS WITHIN RANGE
HOUSING	ABS PLASTIC, WHITE
CONNECTION	2 WIRE, SCREW TYPE TERMINAL
RATING	UL RATED



DIMENSIONS:



NOTE: SEE PROJECT SUBMITTAL SCHEDULE FOR SELECTED OPTIONS.

ALL METRIC DIMENSIONS () ARE SOFT CONVERTED. IMPERIAL DIMENSIONS ARE CONVERTED TO METRIC AND ROUNDED TO THE NEAREST MILLIMETER.