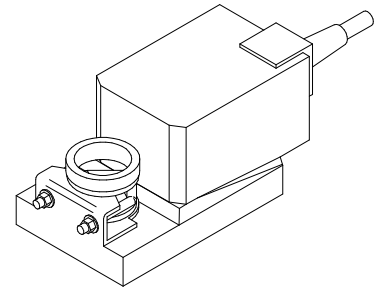


ANTEC ACTUATORS REFERENCE CHART

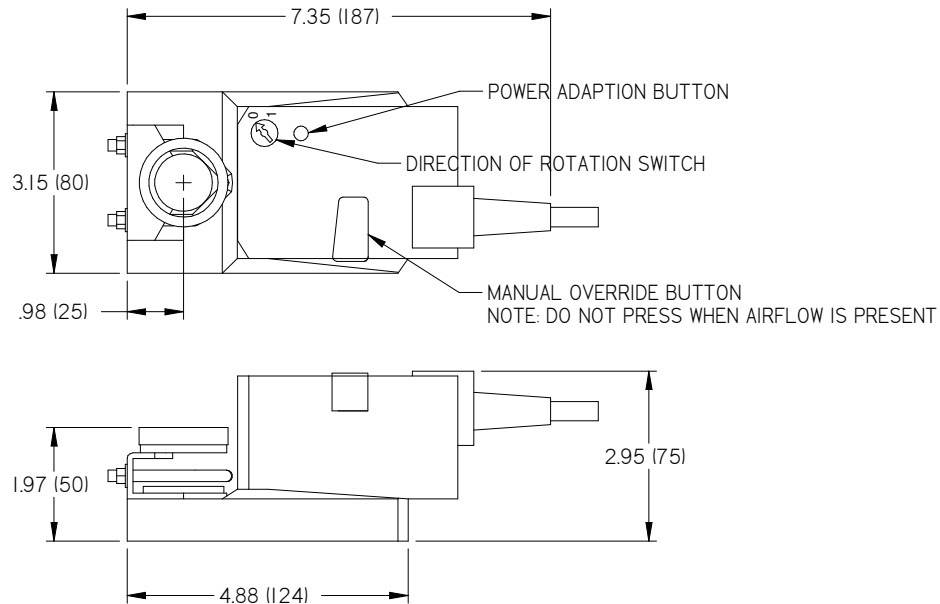
PART #	DESCRIPTION	SUBMITTAL SHEET #
019127-001	35 in-lbs (4 Nm), HSA (2.5 sec), 2-10 VDC, FLP	2
019127-002	45 in-lbs (5 Nm), SSA (95 sec), 2-10 VDC, FLP	3
019127-003	54 in-lbs (6 Nm), HSA (4 sec), 2-10 VDC, FOP/FCP	4
019127-004	70 in-lbs (8 Nm), HSA (4 sec), 2-10 VDC, FLP	5
019127-005	90 in-lbs (10 Nm), SSA (95 sec), 2-10 VDC, FLP	6
019127-006	140 in-lbs (16 Nm), HSA (7 sec), 2-10 VDC, FLP	7
019127-007	54 in-lbs (6 Nm), HSA (4 sec), 2P, FOP/FCP	8
019127-008	180 in-lbs (20 Nm), SSA (95 sec), 2P, FLP	9
019127-009	180 in-lbs (20 Nm), SSA (95 sec), 2-10 VDC, FLP	10
019128-001	45 in-lbs (5 Nm), SSA (95 sec), 2P, FLP	11
019128-002	90 in-lbs (10 Nm), SSA (95 sec), 2P, FLP	12
019128-003	35 in-lbs (4 Nm), HSA (2.5 sec), 2P, FLP	13
019128-004	90 in-lbs (10 Nm), SSA (75 sec), 2P, FOP/FCP	14
019128-005	90 in-lbs (10 Nm), SSA (95 sec), 2-10 VDC, FOP/FCP	15
019128-009	70 in-lbs (8 Nm), HSA (4 sec), 2P, FLP	16
019128-014	22 in-lbs (2.5 Nm), SSA (95 sec), 2-10 VDC, FOP/FCP	17

□ ACTUATOR - 35 in-lbs (4 Nm), VDC, HSA, FLP

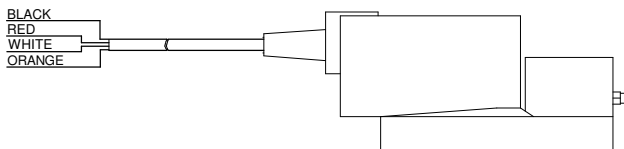
SPECIFICATIONS:	
ENVIRONMENTAL (OPERATING)	-22°F to 122°F (-30°C to 50°C), 5% to 95% R.H.(NON-CONDENSING)
ENVIRONMENTAL (STORAGE)	-40°F to 176°F (-40°C to 80°C), 5% to 95% R.H.(NON-CONDENSING)
INPUT POWER	24 VAC +/- 20%, 50/60 Hz, 23 VA, CLASS 2
CONTROL SIGNAL RANGE	2 to 10 VDC
ANGLE OF ROTATION	MIN 30°, MAX 95°, ADJUSTABLE WITH MECHANICAL STOP ELECTRONICALLY VARIABLE (POWER ADAPTION)
DIRECTION OF ROTATION	REVERSIBLE WITH BUILT-IN SWITCH (FACTORY SET TO 0)
TORQUE	35 in-lb (4 Nm)
MANUAL OVERRIDE	EXTERNAL PUSH BUTTON
RUNNING TIME	2.5 sec
HOUSING	NEMA 2, IP54, UL ENCLOSURE TYPE 2
HOUSING MATERIAL	UL94 -5VA
WEIGHT	1.8 lbs (0.85 kg)
PART # (BELIMO MODEL)	019127-001 (LMQB24-MFT)



DIMENSIONS:



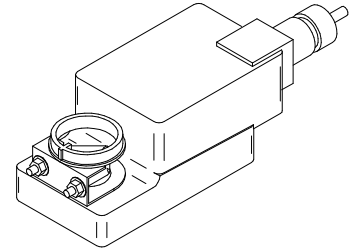
TERMINATION:



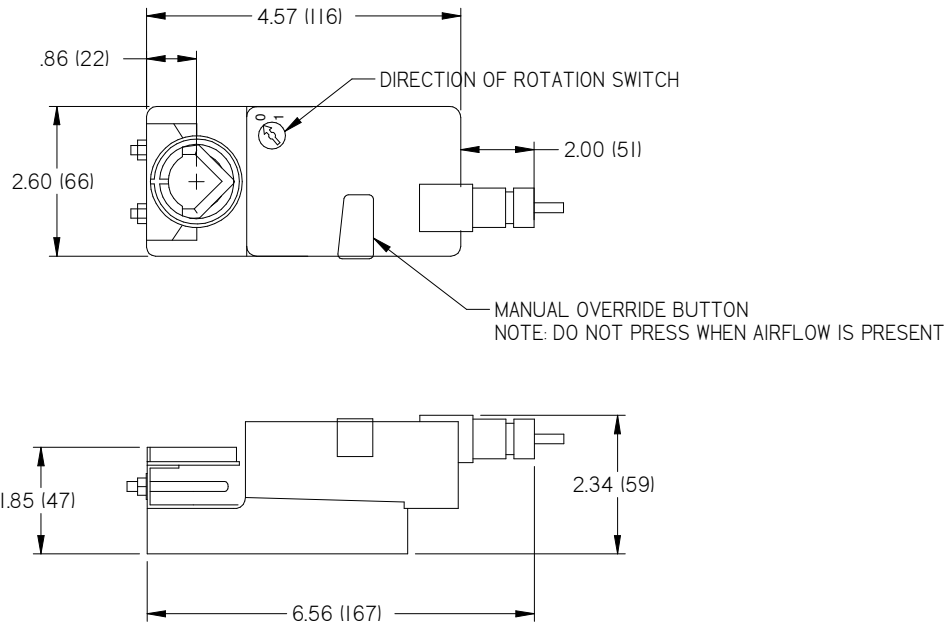
RED	INPUT POWER, HOT
BLACK	INPUT POWER, COMMON
WHITE	CONTROL SIGNAL
ORANGE	NOT USED

ACTUATOR - 45 in-lbs (5 Nm), VDC, SSA, FLP

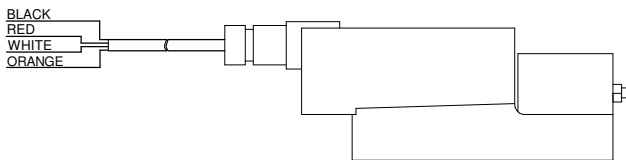
SPECIFICATIONS:	
ENVIRONMENTAL (OPERATING)	-22°F to 122°F (-30°C to 50°C), 5% to 95% R.H.(NON-CONDENSING)
ENVIRONMENTAL (STORAGE)	-40°F to 176°F (-40°C to 80°C), 5% to 95% R.H.(NON-CONDENSING)
INPUT POWER	24 VAC +/- 20%, 50/60 Hz, 3 VA, CLASS 2
CONTROL SIGNAL RANGE	2 to 10 VDC
ANGLE OF ROTATION	MAX 95°, ADJUSTABLE WITH MECHANICAL STOP
DIRECTION OF ROTATION	REVERSIBLE WITH BUILT-IN SWITCH (FACTORY SET TO 0)
TORQUE	45 in-lb (5 Nm)
MANUAL OVERRIDE	EXTERNAL PUSH BUTTON
RUNNING TIME	95 sec
HOUSING	NEMA 2, IP54, UL ENCLOSURE TYPE 2
HOUSING MATERIAL	UL94 -5VA
WEIGHT	1.7 lbs (0.75 kg)
PART # (BELIMO MODEL)	019127-002 (LMB24-SR)



DIMENSIONS:



TERMINATION:

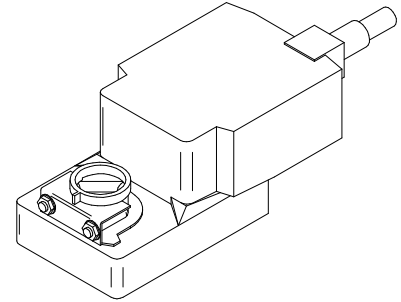


RED	INPUT POWER, HOT
BLACK	INPUT POWER, COMMON
WHITE	CONTROL SIGNAL
ORANGE	NOT USED

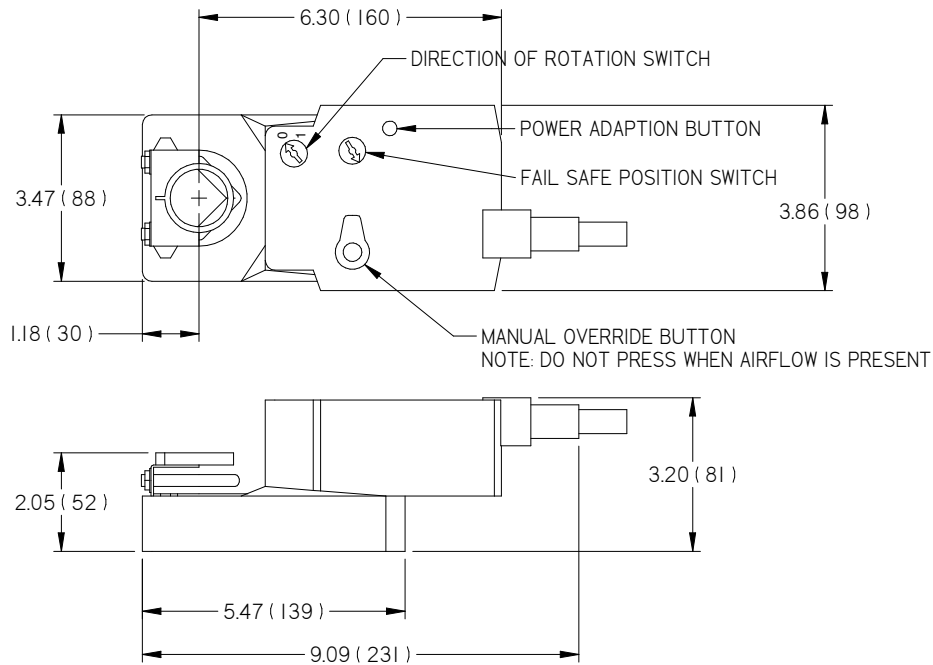
ALL METRIC DIMENSIONS () ARE SOFT CONVERTED. IMPERIAL DIMENSIONS ARE CONVERTED TO METRIC AND ROUNDED TO THE NEAREST MILLIMETER. SPECIFICATIONS ARE SUBJECT TO CHANGE WITHOUT NOTICE.

ACTUATOR - 54 in-lbs (6 Nm), VDC, HSA, FOP/FCP

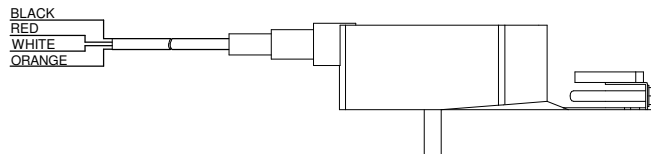
SPECIFICATIONS:	
ENVIRONMENTAL (OPERATING)	-22°F to 122°F (-30°C to 50°C), 5% to 95% R.H.(NON-CONDENSING)
ENVIRONMENTAL (STORAGE)	-40°F to 176°F (-40°C to 80°C), 5% to 95% R.H.(NON-CONDENSING)
INPUT POWER	24 VAC +/- 20%, 50/60 Hz, 22 VA, CLASS 2
CONTROL SIGNAL RANGE	2 to 10 VDC
ANGLE OF ROTATION	MAX 95°, ADJUSTABLE WITH MECHANICAL STOP ELECTRONICALLY VARIABLE (POWER ADAPTION)
DIRECTION OF ROTATION	REVERSIBLE WITH BUILT-IN SWITCH (FACTORY SET TO 0)
FAIL SAFE POSITION	ADJUSTABLE WITH DIAL
TORQUE	54 in-lb (6 Nm)
MANUAL OVERRIDE	EXTERNAL PUSH BUTTON
RUNNING TIME	4 sec
HOUSING	NEMA 2, IP54, UL ENCLOSURE TYPE 2
HOUSING MATERIAL	UL94 -5VA
WEIGHT	2.4 lbs (1.1 kg)
PART # (BELIMO MODEL)	019127-003 (NKQB24-SR)



DIMENSIONS:



TERMINATION:

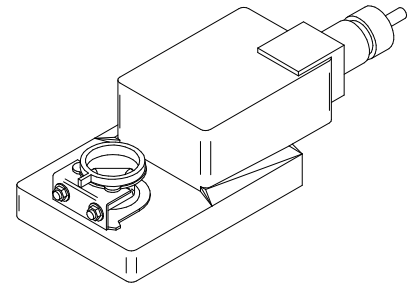


RED	INPUT POWER, HOT
BLACK	INPUT POWER, COMMON
WHITE	CONTROL SIGNAL
ORANGE	NOT USED

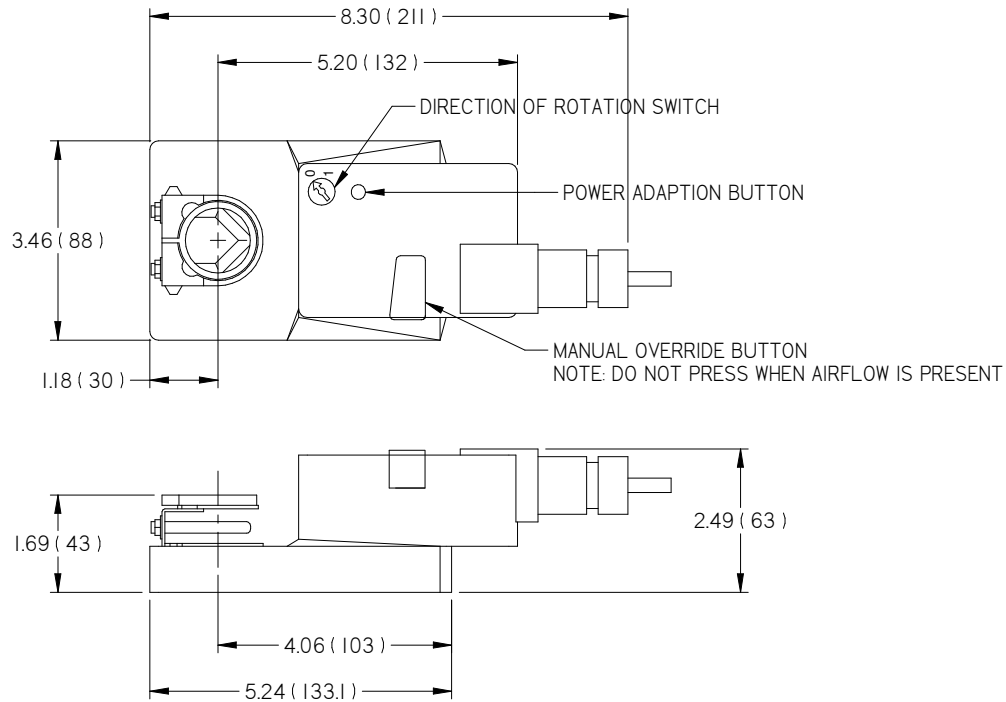
ALL METRIC DIMENSIONS () ARE SOFT CONVERTED. IMPERIAL DIMENSIONS ARE CONVERTED TO METRIC AND ROUNDED TO THE NEAREST MILLIMETER.
SPECIFICATIONS ARE SUBJECT TO CHANGE WITHOUT NOTICE.

ACTUATOR - 70 in-lbs (8 Nm), VDC, HSA, FLP

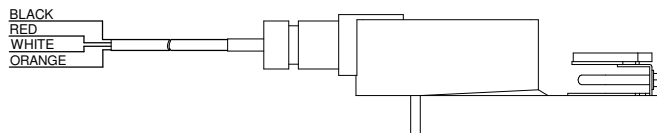
SPECIFICATIONS:	
ENVIRONMENTAL (OPERATING)	-22°F to 122°F (-30°C to 50°C), 5% to 95% R.H.(NON-CONDENSING)
ENVIRONMENTAL (STORAGE)	-40°F to 176°F (-40°C to 80°C), 5% to 95% R.H.(NON-CONDENSING)
INPUT POWER	24 VAC +/- 20%, 50/60 Hz, 23 VA, CLASS 2
CONTROL SIGNAL RANGE	2 to 10 VDC
ANGLE OF ROTATION	MIN 30°, MAX 95°, ADJUSTABLE WITH MECHANICAL STOP ELECTRONICALLY VARIABLE (POWER ADAPTION)
DIRECTION OF ROTATION	REVERSIBLE WITH BUILT-IN SWITCH (FACTORY SET TO 0)
TORQUE	70 in-lbs (8 Nm)
MANUAL OVERRIDE	EXTERNAL PUSH BUTTON
RUNNING TIME	4 sec
HOUSING	NEMA 2, IP54, UL ENCLOSURE TYPE 2
HOUSING MATERIAL	UL94 -5VA
WEIGHT	1.8 lbs (0.85 kg)
PART # (BELIMO MODEL)	019127-004 (NMQB24-MFT)



DIMENSIONS:



TERMINATION:

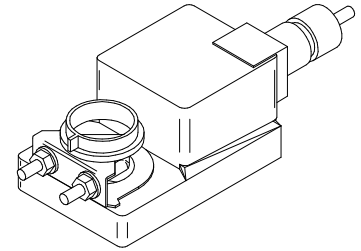


RED	INPUT POWER, HOT
BLACK	INPUT POWER, COMMON
WHITE	CONTROL SIGNAL
ORANGE	NOT USED

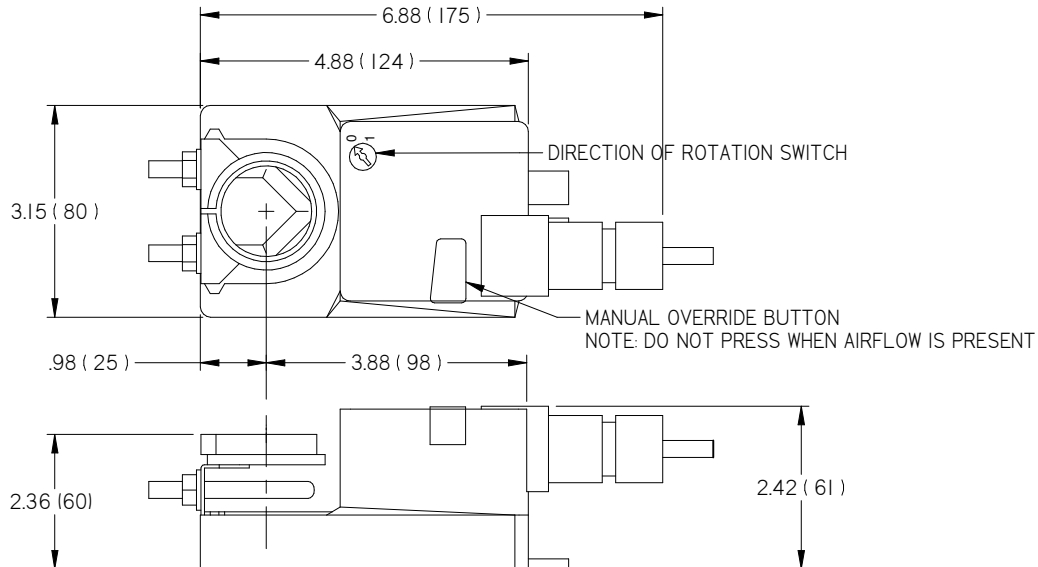
ALL METRIC DIMENSIONS () ARE SOFT CONVERTED. IMPERIAL DIMENSIONS ARE CONVERTED TO METRIC AND ROUNDED TO THE NEAREST MILLIMETER.
SPECIFICATIONS ARE SUBJECT TO CHANGE WITHOUT NOTICE.

ACTUATOR - 90 in-lbs (10 Nm), VDC, SSA, FLP

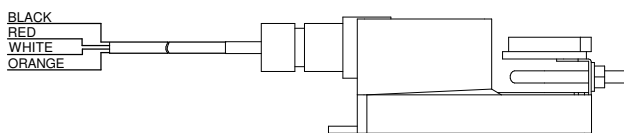
SPECIFICATIONS:	
ENVIRONMENTAL (OPERATING)	-22°F to 122°F (-30°C to 50°C), 5% to 95% R.H.(NON-CONDENSING)
ENVIRONMENTAL (STORAGE)	-40°F to 176°F (-40°C to 80°C), 5% to 95% R.H.(NON-CONDENSING)
INPUT POWER	24 VAC +/- 20%, 50/60 Hz, 5 VA, CLASS 2
CONTROL SIGNAL RANGE	2 to 10 VDC
ANGLE OF ROTATION	MAX 95°, ADJUSTABLE WITH MECHANICAL STOP
DIRECTION OF ROTATION	REVERSIBLE WITH BUILT-IN SWITCH (FACTORY SET TO 0)
TORQUE	90 in-lbs (10 Nm)
MANUAL OVERRIDE	EXTERNAL PUSH BUTTON
RUNNING TIME	95 sec
HOUSING	NEMA 2, IP54, UL ENCLOSURE TYPE 2
HOUSING MATERIAL	UL94 -5VA
WEIGHT	1.7 lbs (0.75 kg)
PART # (BELIMO MODEL)	019127-005 (NMB24-SR)



DIMENSIONS:



TERMINATION:

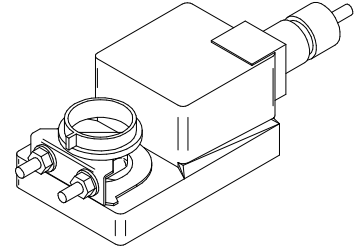


RED	INPUT POWER, HOT
BLACK	INPUT POWER, COMMON
WHITE	CONTROL SIGNAL
ORANGE	NOT USED

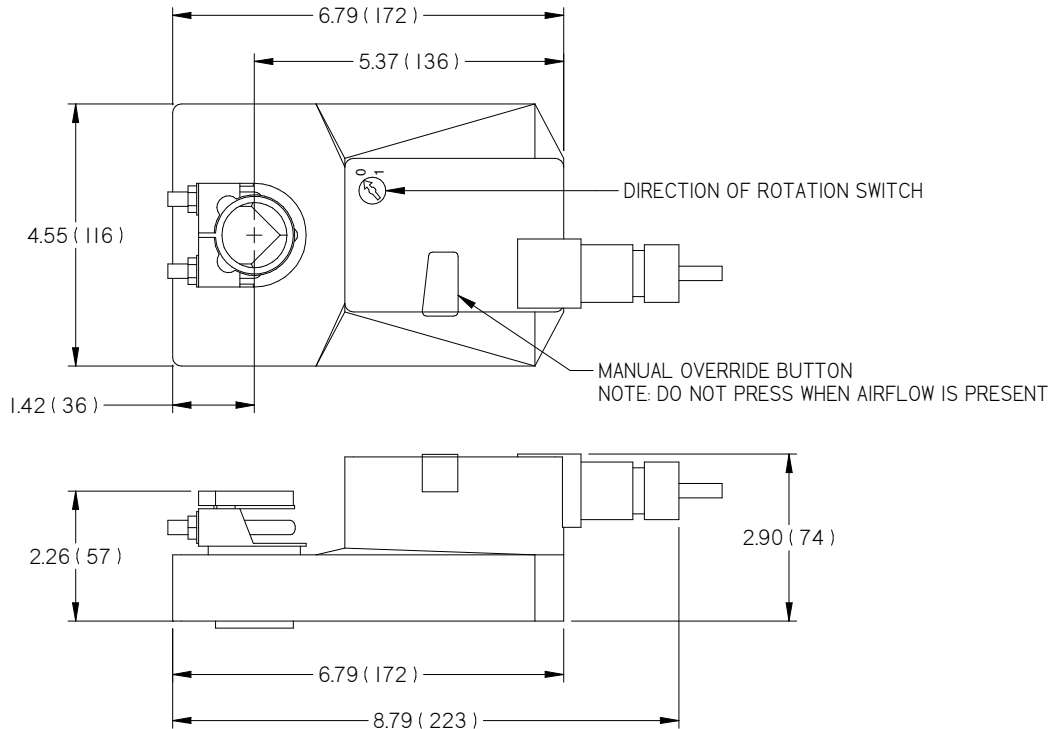
ALL METRIC DIMENSIONS () ARE SOFT CONVERTED. IMPERIAL DIMENSIONS ARE CONVERTED TO METRIC AND ROUNDED TO THE NEAREST MILLIMETER.
SPECIFICATIONS ARE SUBJECT TO CHANGE WITHOUT NOTICE.

ACTUATOR - 140 in-lbs (16 Nm), VDC, HSA, FLP

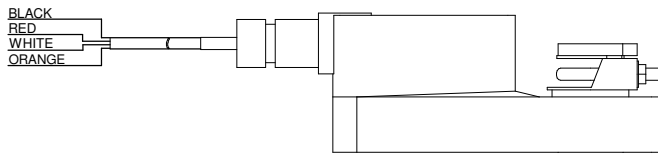
SPECIFICATIONS:	
ENVIRONMENTAL (OPERATING)	-22°F to 122°F (-30°C to 50°C), 5% to 95% R.H.(NON-CONDENSING)
ENVIRONMENTAL (STORAGE)	-40°F to 176°F (-40°C to 80°C), 5% to 95% R.H.(NON-CONDENSING)
INPUT POWER	24 VAC +/- 20%, 50/60 Hz, 26 VA, CLASS 2
CONTROL SIGNAL RANGE	2 to 10 VDC
ANGLE OF ROTATION	MIN 30°, MAX 95°, ADJUSTABLE WITH MECHANICAL STOP ELECTRONICALLY VARIABLE (POWER ADAPTION)
DIRECTION OF ROTATION	REVERSIBLE WITH BUILT-IN SWITCH (FACTORY SET TO 0)
TORQUE	140 in-lbs (16 Nm)
MANUAL OVERRIDE	EXTERNAL PUSH BUTTON
RUNNING TIME	7 sec
HOUSING	NEMA 2, IP54, UL ENCLOSURE TYPE 2
HOUSING MATERIAL	UL94 -5VA
WEIGHT	3.75 lbs (1.7 kg)
PART # (BELIMO MODEL)	019127-006 (AMQB24-MFT)



DIMENSIONS:



TERMINATION:

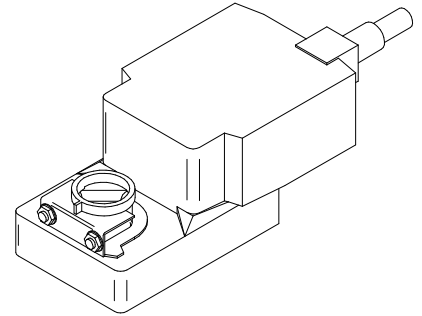


RED	INPUT POWER, HOT
BLACK	INPUT POWER, COMMON
WHITE	CONTROL SIGNAL
ORANGE	NOT USED

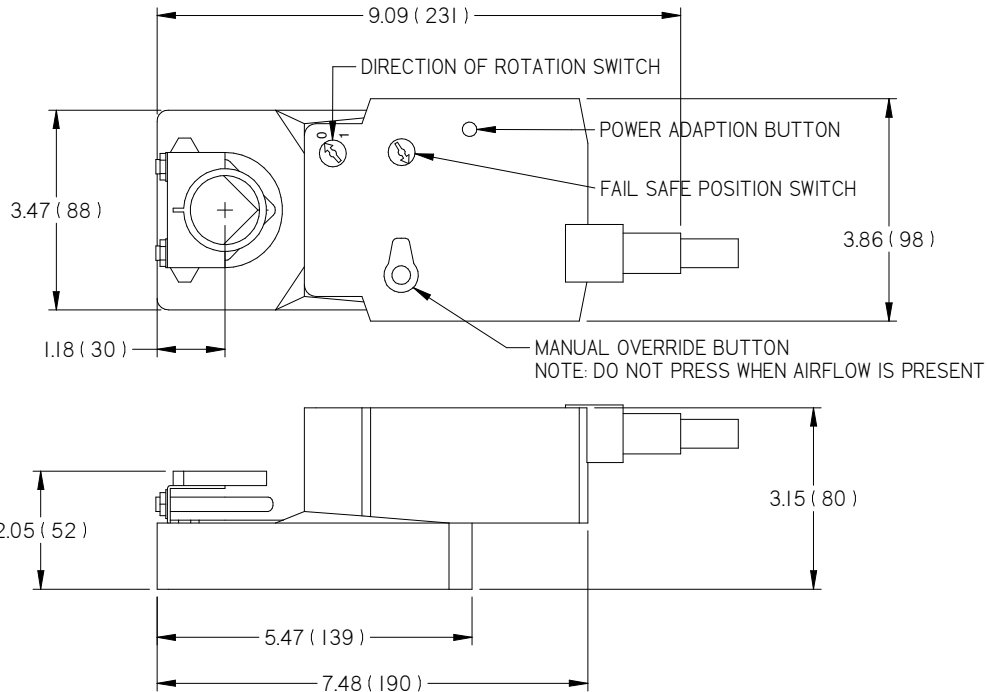
ALL METRIC DIMENSIONS () ARE SOFT CONVERTED. IMPERIAL DIMENSIONS ARE CONVERTED TO METRIC AND ROUNDED TO THE NEAREST MILLIMETER. SPECIFICATIONS ARE SUBJECT TO CHANGE WITHOUT NOTICE.

ACTUATOR - 54 in-lbs (6 Nm), 2P, HSA, FOP/FCP

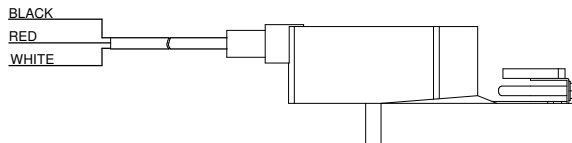
SPECIFICATIONS:	
ENVIRONMENTAL (OPERATING)	-22°F to 122°F (-30°C to 50°C), 5% to 95% R.H.(NON-CONDENSING)
ENVIRONMENTAL (STORAGE)	-40°F to 176°F (-40°C to 80°C), 5% to 95% R.H.(NON-CONDENSING)
INPUT POWER	24 VAC +/- 20%, 50/60 Hz, 22 VA, CLASS 2
CONTROL SIGNAL	ON/OFF
ANGLE OF ROTATION	MAX 95°, ADJUSTABLE WITH MECHANICAL STOP ELECTRONICALLY VARIABLE (POWER ADAPTION)
DIRECTION OF ROTATION	REVERSIBLE WITH BUILT-IN SWITCH (FACTORY SET TO 0)
FAIL SAFE POSITION	ADJUSTABLE WITH DIAL
FAIL SAFE TYPE	ELECTRONIC
TORQUE	54 in-lbs (6 Nm)
MANUAL OVERRIDE	EXTERNAL PUSH BUTTON
RUNNING TIME	4 sec
HOUSING	NEMA 2, IP54, UL ENCLOSURE TYPE 2
HOUSING MATERIAL	UL94 -5VA
WEIGHT	2.4 lbs (1.10 kg)
PART # (BELIMO MODEL)	019127-007 (NKQB24-1)



DIMENSIONS:



TERMINATION:

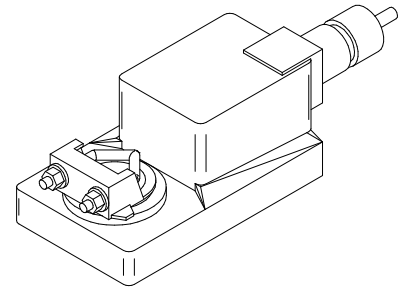


RED	INPUT POWER, HOT
BLACK	INPUT POWER, COMMON
WHITE	ON / OFF, 24 VAC

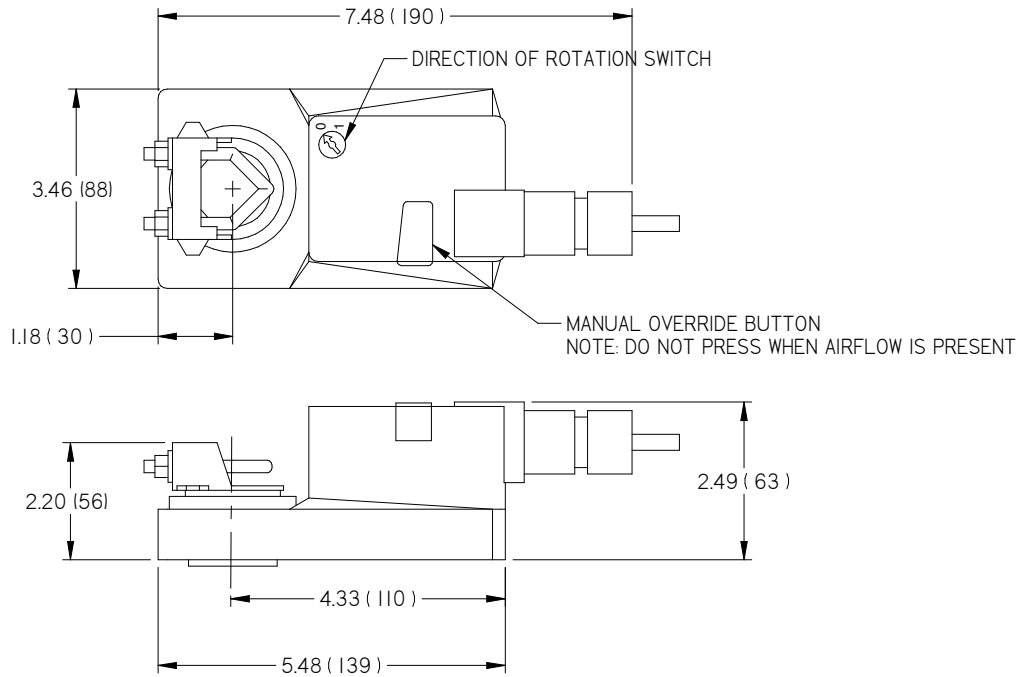
ALL METRIC DIMENSIONS () ARE SOFT CONVERTED. IMPERIAL DIMENSIONS ARE CONVERTED TO METRIC AND ROUNDED TO THE NEAREST MILLIMETER.
SPECIFICATIONS ARE SUBJECT TO CHANGE WITHOUT NOTICE.

☐ ACTUATOR - 180 in-lbs (20 Nm), 2P, SSA, FLP

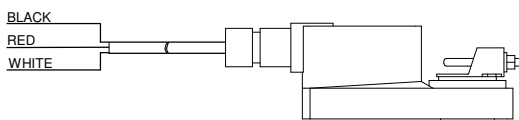
SPECIFICATIONS:	
ENVIRONMENTAL (OPERATING)	-22°F to 122°F (-30°C to 50°C), 5% to 95% R.H.(NON-CONDENSING)
ENVIRONMENTAL (STORAGE)	-40°F to 176°F (-40°C to 80°C), 5% to 95% R.H.(NON-CONDENSING)
INPUT POWER	24 VAC +/- 20%, 50/60 Hz, 5.5 VA, CLASS 2
CONTROL SIGNAL	ON/OFF
ANGLE OF ROTATION	MAX 95°, ADJUSTABLE WITH MECHANICAL STOP
DIRECTION OF ROTATION	REVERSIBLE WITH BUILT-IN SWITCH (FACTORY SET TO 0)
TORQUE	180 in-lbs (20 Nm)
MANUAL OVERRIDE	EXTERNAL PUSH BUTTON
RUNNING TIME	95 sec
HOUSING	NEMA 2, IP54, UL ENCLOSURE TYPE 2
HOUSING MATERIAL	UL94 -5VA
WEIGHT	2.2 lbs (1.0 kg)
PART # (BELIMO MODEL)	019127-008 (AMB24-3)



DIMENSIONS:



TERMINATION:

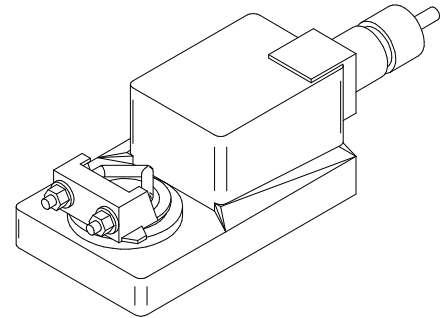


RED	INPUT POWER, HOT
BLACK	INPUT POWER, COMMON
WHITE	ON / OFF, 24 VAC

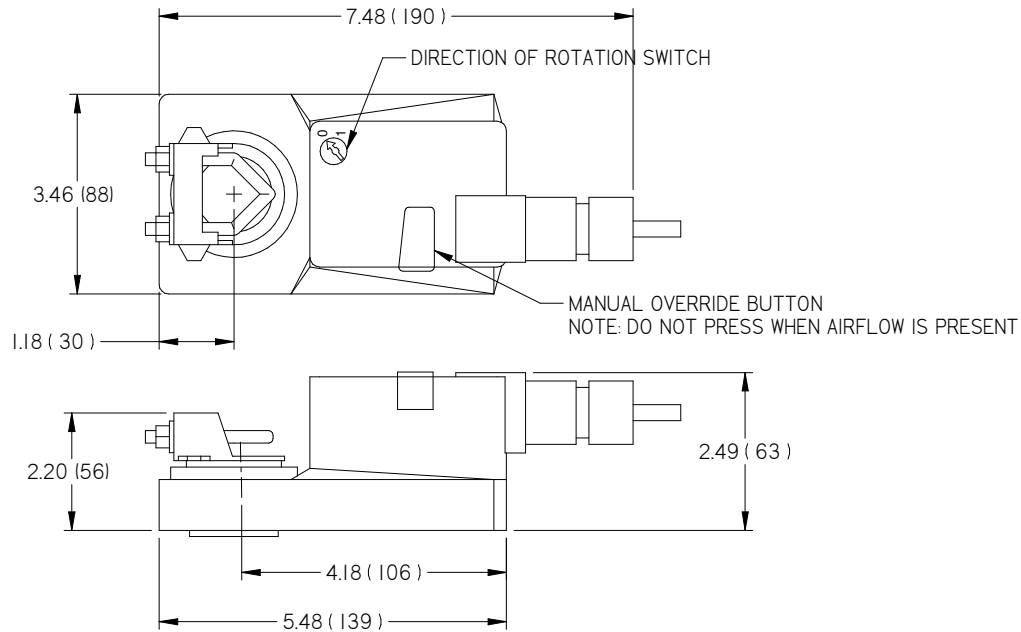
ALL METRIC DIMENSIONS () ARE SOFT CONVERTED. IMPERIAL DIMENSIONS ARE CONVERTED TO METRIC AND ROUNDED TO THE NEAREST MILLIMETER. SPECIFICATIONS ARE SUBJECT TO CHANGE WITHOUT NOTICE.

ACTUATOR - 180 in-lbs (20 Nm), VDC, SSA, FLP

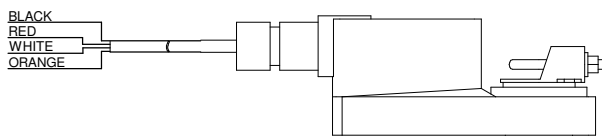
SPECIFICATIONS:	
ENVIRONMENTAL (OPERATING)	-22°F to 122°F (-30°C to 50°C), 5% to 95% R.H.(NON-CONDENSING)
ENVIRONMENTAL (STORAGE)	-40°F to 176°F (-40°C to 80°C), 5% to 95% R.H.(NON-CONDENSING)
INPUT POWER	24 VAC +/- 20%, 50/60 Hz, 5 VA, CLASS 2
CONTROL SIGNAL RANGE	2 to 10 VDC
ANGLE OF ROTATION	MAX 95°, ADJUSTABLE WITH MECHANICAL STOP
DIRECTION OF ROTATION	REVERSIBLE WITH BUILT-IN SWITCH (FACTORY SET TO 0)
TORQUE	180 in-lbs (20 Nm)
MANUAL OVERRIDE	EXTERNAL PUSH BUTTON
RUNNING TIME	95 sec
HOUSING	NEMA 2, IP54, UL ENCLOSURE TYPE 2
HOUSING MATERIAL	UL94 -5VA
WEIGHT	2.2 lbs (1.0 kg)
PART # (BELIMO MODEL)	019127-009 (AMB24-S)



DIMENSIONS:



TERMINATION:

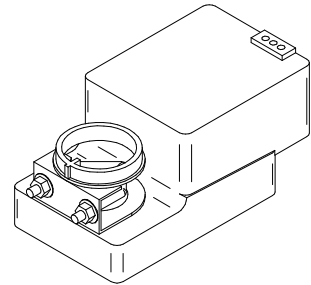


RED	INPUT POWER, HOT
BLACK	INPUT POWER, COMMON
WHITE	CONTROL SIGNAL
ORANGE	NOT USED

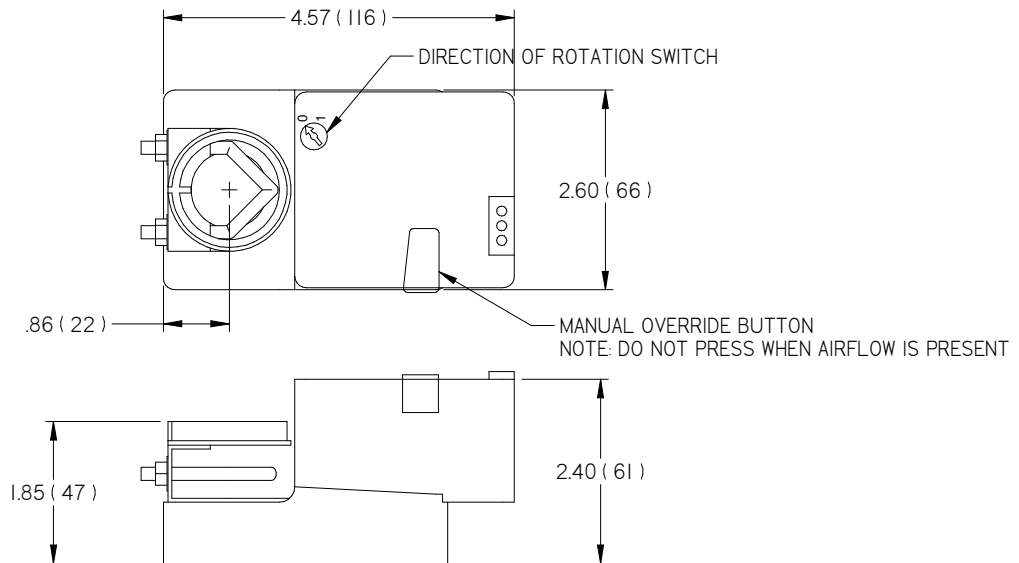
ALL METRIC DIMENSIONS () ARE SOFT CONVERTED. IMPERIAL DIMENSIONS ARE CONVERTED TO METRIC AND ROUNDED TO THE NEAREST MILLIMETER. SPECIFICATIONS ARE SUBJECT TO CHANGE WITHOUT NOTICE.

ACTUATOR - 45 in-lbs (5 Nm), 2P, SSA, FLP

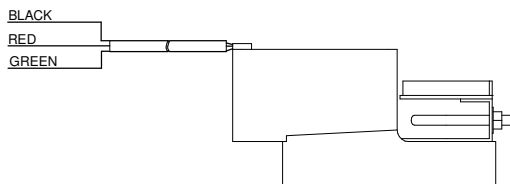
SPECIFICATIONS:	
ENVIRONMENTAL (OPERATING)	-22°F to 122°F (-30°C to 50°C), 5% to 95% R.H.(NON-CONDENSING)
ENVIRONMENTAL (STORAGE)	-40°F to 176°F (-40°C to 80°C), 5% to 95% R.H.(NON-CONDENSING)
INPUT POWER	24 VAC +/- 20%, 50/60 Hz, 2.5 VA, CLASS 2
CONTROL SIGNAL	ON/OFF
ANGLE OF ROTATION	MAX 95°, ADJUSTABLE WITH MECHANICAL STOP
DIRECTION OF ROTATION	REVERSIBLE WITH BUILT-IN SWITCH (FACTORY SET TO 0)
TORQUE	45 in-lbs (5 Nm)
MANUAL OVERRIDE	EXTERNAL PUSH BUTTON
RUNNING TIME	95 sec
HOUSING	NEMA 2, IP54, UL ENCLOSURE TYPE 2
HOUSING MATERIAL	UL94 -5VA
WEIGHT	1.1 lbs (0.5 kg)
PART # (BELIMO MODEL)	019128-001 (LMB24-3-T)



DIMENSIONS:



TERMINATION:

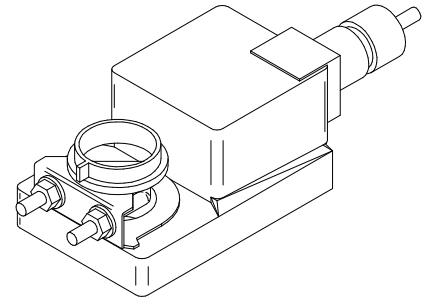


RED	INPUT POWER, HOT
BLACK	INPUT POWER, COMMON
GREEN	ON / OFF, 24 VAC

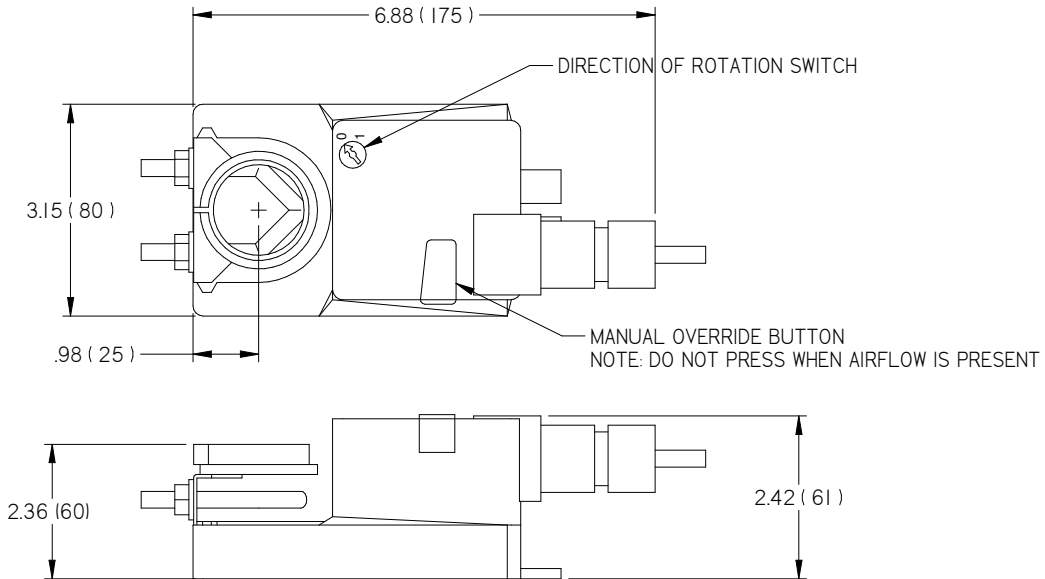
ALL METRIC DIMENSIONS () ARE SOFT CONVERTED. IMPERIAL DIMENSIONS ARE CONVERTED TO METRIC AND ROUNDED TO THE NEAREST MILLIMETER. SPECIFICATIONS ARE SUBJECT TO CHANGE WITHOUT NOTICE.

ACTUATOR - 90 in-lbs (10 Nm), 2P, SSA, FLP

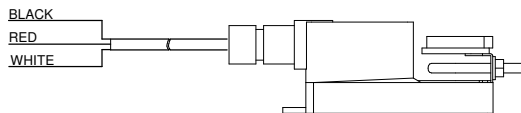
SPECIFICATIONS:	
ENVIRONMENTAL (OPERATING)	-22°F to 122°F (-30°C to 50°C), 5% to 95% R.H.(NON-CONDENSING)
ENVIRONMENTAL (STORAGE)	-40°F to 176°F (-40°C to 80°C), 5% to 95% R.H.(NON-CONDENSING)
INPUT POWER	24 VAC +/- 20%, 50/60 Hz, 4 VA, CLASS 2
CONTROL SIGNAL	ON/OFF
ANGLE OF ROTATION	MAX 95°, ADJUSTABLE WITH MECHANICAL STOP
DIRECTION OF ROTATION	REVERSIBLE WITH BUILT-IN SWITCH (FACTORY SET TO 0)
TORQUE	90 in-lbs (10 Nm)
MANUAL OVERRIDE	EXTERNAL PUSH BUTTON
RUNNING TIME	95 sec
HOUSING	NEMA 2, IP54, UL ENCLOSURE TYPE 2
HOUSING MATERIAL	UL94 -5VA
WEIGHT	1.7 lbs (0.75 kg)
PART # (BELIMO MODEL)	019128-002 (NMB24-3)



DIMENSIONS:



TERMINATION:

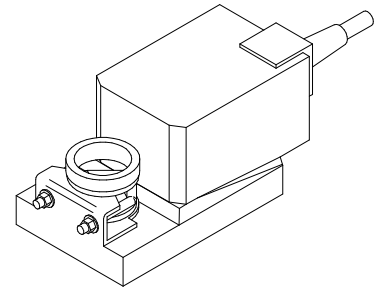


RED	INPUT POWER, HOT
BLACK	INPUT POWER, COMMON
WHITE	ON / OFF, 24 VAC

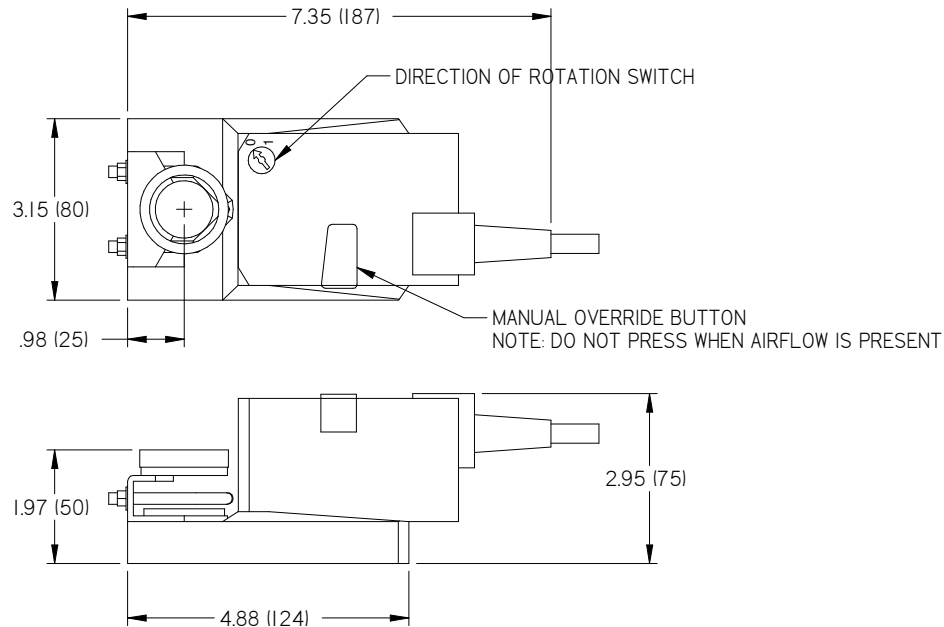
ALL METRIC DIMENSIONS () ARE SOFT CONVERTED. IMPERIAL DIMENSIONS ARE CONVERTED TO METRIC AND ROUNDED TO THE NEAREST MILLIMETER. SPECIFICATIONS ARE SUBJECT TO CHANGE WITHOUT NOTICE.

ACTUATOR - 35 in-lbs (4 Nm), 2P, HSA, FLP

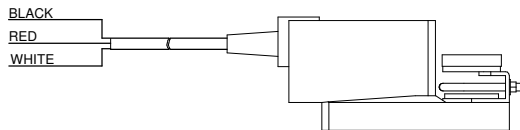
SPECIFICATIONS:	
ENVIRONMENTAL (OPERATING)	-22°F to 122°F (-30°C to 50°C), 5% to 95% R.H.(NON-CONDENSING)
ENVIRONMENTAL (STORAGE)	-40°F to 176°F (-40°C to 80°C), 5% to 95% R.H.(NON-CONDENSING)
INPUT POWER	24 VAC +/- 20%, 50/60 Hz, 23 VA, CLASS 2
CONTROL SIGNAL	ON/OFF
ANGLE OF ROTATION	MIN 30°, MAX 95°, ADJUSTABLE WITH MECHANICAL STOP ELECTRONICALLY VARIABLE (POWER ADAPTION)
DIRECTION OF ROTATION	REVERSIBLE WITH BUILT-IN SWITCH (FACTORY SET TO 0)
TORQUE	35 in-lb (4 Nm)
MANUAL OVERRIDE	EXTERNAL PUSH BUTTON
RUNNING TIME	2.5 sec
HOUSING	NEMA 2, IP54, UL ENCLOSURE TYPE 2
HOUSING MATERIAL	UL94 -5VA
WEIGHT	1.8 lbs (0.85 kg)
PART # (BELIMO MODEL)	019128-003 (LMQB24-1)



DIMENSIONS:



TERMINATION:

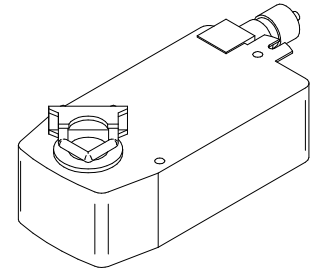


RED	INPUT POWER, HOT
BLACK	INPUT POWER, COMMON
WHITE	ON / OFF, 24 VAC

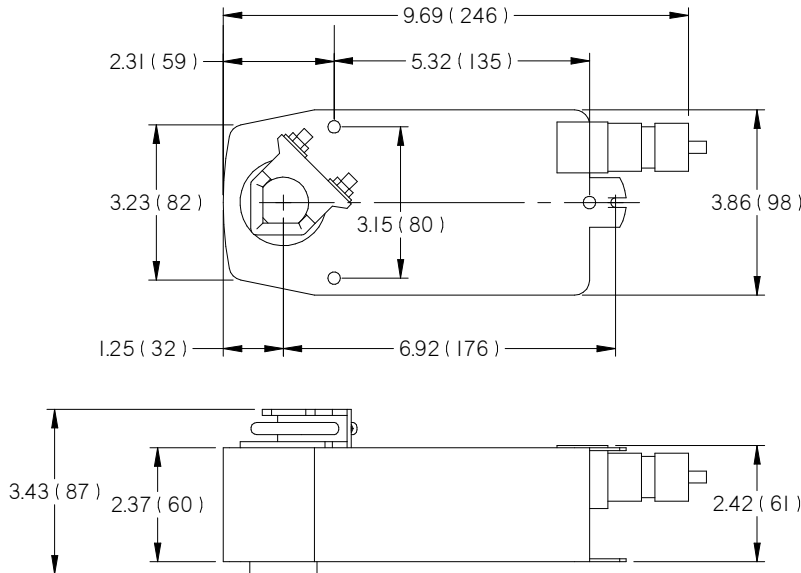
ALL METRIC DIMENSIONS () ARE SOFT CONVERTED. IMPERIAL DIMENSIONS ARE CONVERTED TO METRIC AND ROUNDED TO THE NEAREST MILLIMETER.
SPECIFICATIONS ARE SUBJECT TO CHANGE WITHOUT NOTICE.

ACTUATOR - 90 in-lbs (10 Nm), 2P, SSA, FOP/FCP

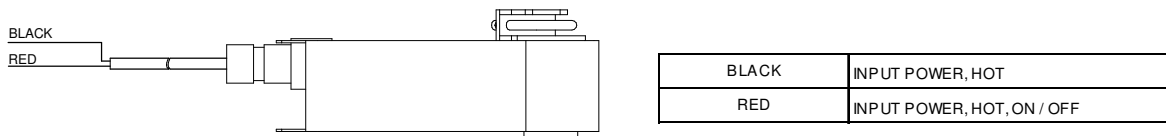
SPECIFICATIONS:	
ENVIRONMENTAL (OPERATING)	-22°F to 122°F (-30°C to 50°C), 5% to 95% R.H.(NON-CONDENSING)
ENVIRONMENTAL (STORAGE)	-40°F to 176°F (-40°C to 80°C), 5% to 95% R.H.(NON-CONDENSING)
INPUT POWER	24 VAC +/- 20%, 50/60 Hz, 8.5 VA, CLASS 2
CONTROL SIGNAL RANGE	ON/OFF
ANGLE OF ROTATION	MAX 95°, ADJUSTABLE WITH MECHANICAL STOP
DIRECTION OF ROTATION	REVERSIBLE WITH CW / CCW MOUNTING
FAIL SAFE POSITION	REVERSIBLE WITH CW / CCW MOUNTING
FAIL SAFE TYPE	SPRING RETURN
TORQUE	90 in-lbs (10 Nm)
MANUAL OVERRIDE	5 mm HEX CRANK (SUPPLIED)
RUNNING TIME	75 sec
HOUSING	NEMA 2, IP54, UL ENCLOSURE TYPE 2
HOUSING MATERIAL	ZINC COATED METAL AND PLASTIC CASING
WEIGHT	4.2 lbs (1.90 kg)
PART # (BELIMO MODEL)	019128-004 (NFB24)



DIMENSIONS:



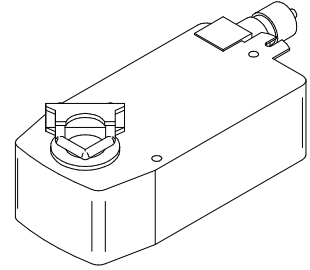
TERMINATION:



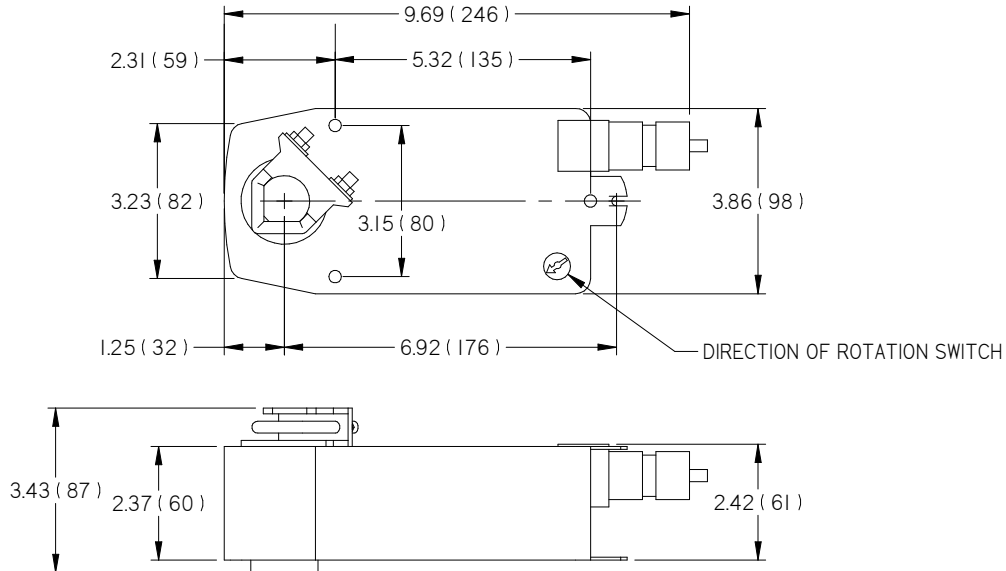
ALL METRIC DIMENSIONS () ARE SOFT CONVERTED. IMPERIAL DIMENSIONS ARE CONVERTED TO METRIC AND ROUNDED TO THE NEAREST MILLIMETER. SPECIFICATIONS ARE SUBJECT TO CHANGE WITHOUT NOTICE.

ACTUATOR - 90 in-lbs (10 Nm), VDC, SSA, FOP/FCP

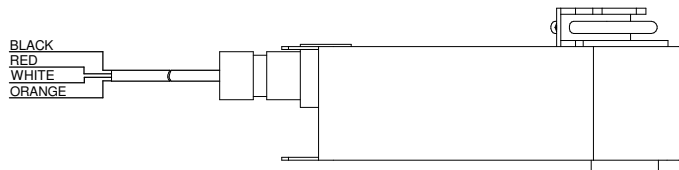
SPECIFICATIONS:	
ENVIRONMENTAL (OPERATING)	-22°F to 122°F (-30°C to 50°C), 5% to 95% R.H.(NON-CONDENSING)
ENVIRONMENTAL (STORAGE)	-40°F to 176°F (-40°C to 80°C), 5% to 95% R.H.(NON-CONDENSING)
INPUT POWER	24 VAC +/- 20%, 50/60 Hz, 6 VA, CLASS 2
CONTROL SIGNAL RANGE	2 to 10 VDC
ANGLE OF ROTATION	MAX 95°, ADJUSTABLE WITH MECHANICAL STOP
DIRECTION OF ROTATION	REVERSIBLE WITH BUILT-IN SWITCH (FACTORY SET TO CCW)
FAIL SAFE POSITION	REVERSIBLE WITH CW / CCW MOUNTING
FAIL SAFE TYPE	SPRING RETURN
TORQUE	90 in-lbs (10 Nm)
MANUAL OVERRIDE	5 mm HEX CRANK (SUPPLIED)
RUNNING TIME	95 sec
HOUSING	NEMA 2, IP54, UL ENCLOSURE TYPE 2
HOUSING MATERIAL	ZINC COATED METAL AND PLASTIC CASING
WEIGHT	4.2 lbs (1.90 kg)
PART # (BELIMO MODEL)	019128-005 (NFB24-SR)



DIMENSIONS:



TERMINATION:

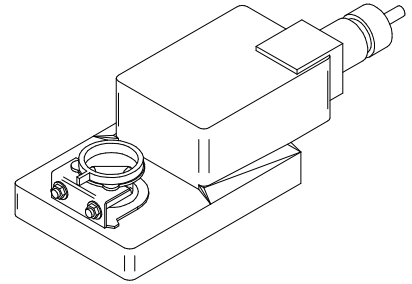


RED	INPUT POWER, HOT
BLACK	INPUT POWER, COMMON
WHITE	CONTROL SIGNAL
ORANGE	NOT USED

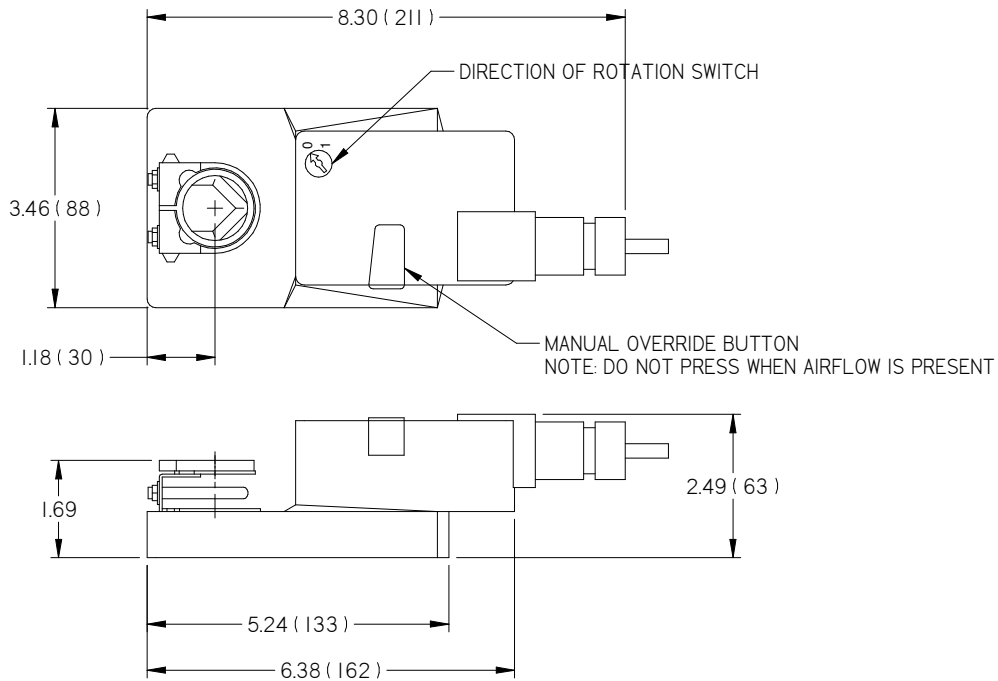
ALL METRIC DIMENSIONS () ARE SOFT CONVERTED. IMPERIAL DIMENSIONS ARE CONVERTED TO METRIC AND ROUNDED TO THE NEAREST MILLIMETER. SPECIFICATIONS ARE SUBJECT TO CHANGE WITHOUT NOTICE.

ACTUATOR - 70 in-lbs (8 Nm), 2P, HSA, FLP

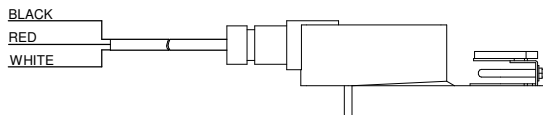
SPECIFICATIONS:	
ENVIRONMENTAL (OPERATING)	-22°F to 122°F (-30°C to 50°C), 5% to 95% R.H.(NON-CONDENSING)
ENVIRONMENTAL (STORAGE)	-40°F to 176°F (-40°C to 80°C), 5% to 95% R.H.(NON-CONDENSING)
INPUT POWER	24 VAC +/- 20%, 50/60 Hz, 23 VA, CLASS 2
CONTROL SIGNAL	ON/OFF
ANGLE OF ROTATION	MIN 30°, MAX 95°, ADJUSTABLE WITH MECHANICAL STOP
DIRECTION OF ROTATION	REVERSIBLE WITH SWITCH (FACTORY SET TO 0)
TORQUE	70 in-lbs (8 Nm)
MANUAL OVERRIDE	EXTERNAL PUSH BUTTON
RUNNING TIME	4 sec
HOUSING	NEMA 2, IP54, UL ENCLOSURE TYPE 2
HOUSING MATERIAL	UL94 -5VA
WEIGHT	2.0 lbs (0.9 kg)
PART # (BELIMO MODEL)	019128-009 (NMQB24-1)



DIMENSIONS:



TERMINATION:

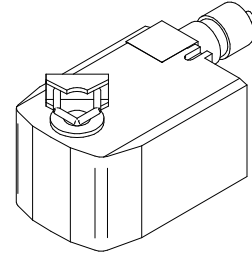


RED	INPUT POWER, HOT
BLACK	INPUT POWER, COMMON
WHITE	ON / OFF, 24 VAC

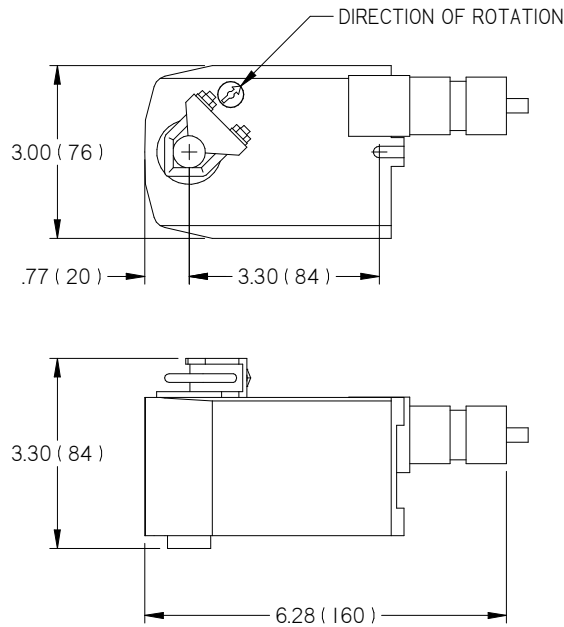
ALL METRIC DIMENSIONS () ARE SOFT CONVERTED. IMPERIAL DIMENSIONS ARE CONVERTED TO METRIC AND ROUNDED TO THE NEAREST MILLIMETER. SPECIFICATIONS ARE SUBJECT TO CHANGE WITHOUT NOTICE.

ACTUATOR - 22 in-lbs (2.5 Nm), VDC, SSA, FOP/FCP

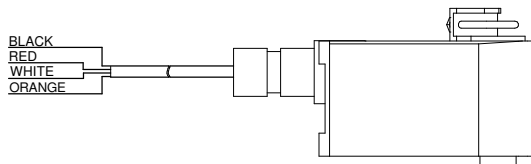
SPECIFICATIONS:	
ENVIRONMENTAL (OPERATING)	-22°F to 122°F (-30°C to 50°C), 5% to 95% R.H.(NON-CONDENSING)
ENVIRONMENTAL (STORAGE)	-40°F to 176°F (-40°C to 80°C), 5% to 95% R.H.(NON-CONDENSING)
INPUT POWER	24 VAC +/- 20%, 50/60 Hz, 4 VA, CLASS 2
CONTROL SIGNAL RANGE	2 to 10 VDC
ANGLE OF ROTATION	MAX 95°, ADJUSTABLE WITH MECHANICAL STOP
DIRECTION OF ROTATION	REVERSIBLE WITH BUILT-IN SWITCH (FACTORY SET TO CW)
FAIL SAFE POSITION	REVERSIBLE WITH CW / CCW MOUNTING
FAIL SAFE TYPE	SPRING RETURN
TORQUE	22 in-lbs (2.5 Nm)
RUNNING TIME	95 sec
HOUSING	NEMA 2, IP54, UL ENCLOSURE TYPE 2
HOUSING MATERIAL	UL94 - 5VA
WEIGHT	1.4 lbs (0.6 kg)
PART # (BELIMO MODEL)	019128-014 (TFB24-SR)



DIMENSIONS:



TERMINATION:



RED	INPUT POWER, HOT
BLACK	INPUT POWER, COMMON
WHITE	CONTROL SIGNAL
ORANGE	NOT USED

ALL METRIC DIMENSIONS () ARE SOFT CONVERTED. IMPERIAL DIMENSIONS ARE CONVERTED TO METRIC AND ROUNDED TO THE NEAREST MILLIMETER. SPECIFICATIONS ARE SUBJECT TO CHANGE WITHOUT NOTICE.