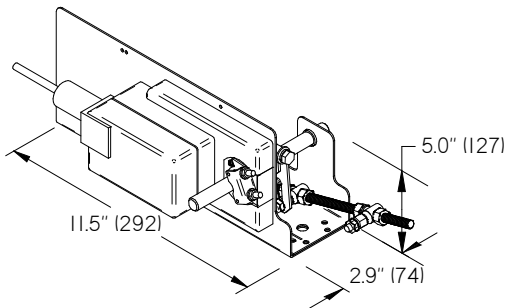
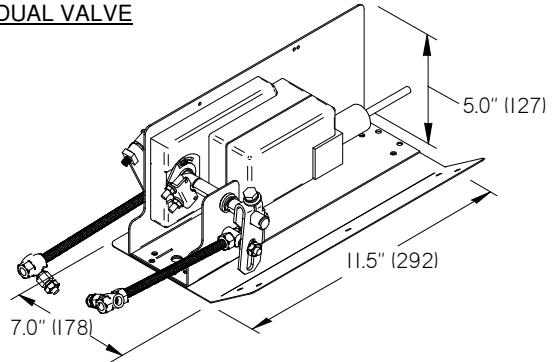


VVR SPECIFICATIONS:	
ENVIRONMENTAL (OPERATING)	50°F to 122°F (10°C to 50°C), 5% to 95% R.H.(NON-CONDENSING)
ENVIRONMENTAL (STORAGE)	-22°F to 122°F (-30°C to 50°C), 0% to 95% R.H.(NON-CONDENSING)
MOUNTING PLATE	.060in (2mm) GALV STEEL, TO BE MOUNTED IN THE FIELD DIRECTLY ON RETROFIT VALVE, NO MOUNTING HARDWARE INCLUDED

SINGLE VALVE

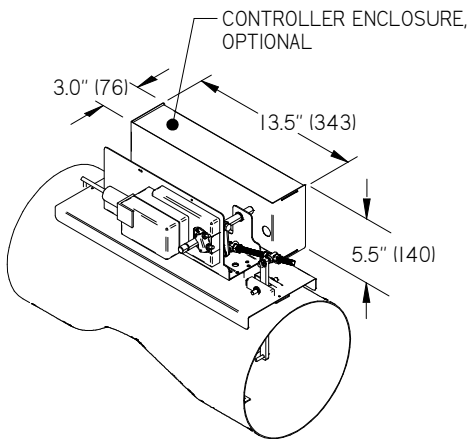


DUAL VALVE

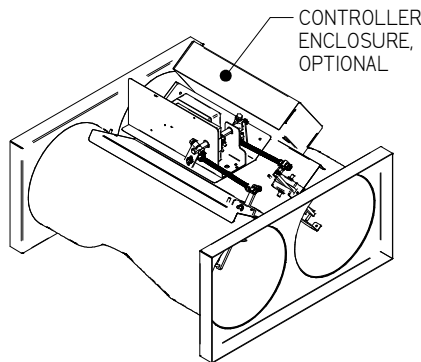


**MOUNTING SPECIFICATIONS:**

SINGLE VALVE

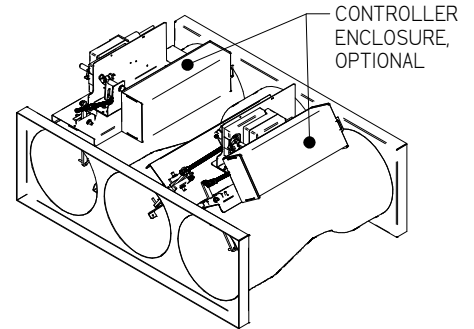


DUAL VALVE



TRIPLE VALVE\*

\*COMBINATION OF SINGLE VALVE AND DUAL VALVE RETROFIT KITS.



**PRESSURE RANGE OPTIONS:**

- MEDIUM PRESSURE (M) - 0.6 to 3.0 in.w.c. (150-750 Pa), MEASURED ACROSS VALVE
- LOW PRESSURE (L) - 0.3 to 3.0 in.w.c. (75-750 Pa), MEASURED ACROSS VALVE

**ACTUATOR FAIL SAFE OPTIONS:**

- FAIL IN PLACE (FLP)
- FAIL OPEN POSITION (FOP)
- FAIL CLOSED POSITION (FCP)

**ACTUATOR SPEED OPTIONS:**

- STANDARD SPEED (SSA), FLP ONLY
- HIGH SPEED (HSA)

**ACTUATOR CONTROL OPTIONS:**

- VDC CONTROL SIGNAL (VDC)
- 2-POSITION CONTROL SIGNAL (2P)

**CONTROLLER ENCLOSURE OPTIONS:**

- CONTROLLER ENCLOSURE ASSEMBLY (ENCL), PACE, FHC or LMX ENCLOSURE MOUNTED

NOTE: PLEASE REFER TO PROJECT SUBMITTAL SCHEDULE FOR SELECTED OPTIONS. SPECIFICATIONS ARE SUBJECT TO CHANGE WITHOUT NOTICE.  
ALL METRIC DIMENSIONS ( ) ARE SOFT CONVERTED. IMPERIAL DIMENSIONS ARE CONVERTED TO METRIC AND ROUNDED TO THE NEAREST MILLIMETER.

**ACTUATOR REFERENCE CHART**

UNIT SIZE	ACTUATOR CONTROL	ACTUATOR RESPONSE	ACTUATOR FAIL POSITION	ACTUATOR	QTY
108	VDC	SSA	FLP	019127-002	1
		HSA		019127-001	1
		FOP/FCP	019127-003	1	
	2P	SSA	FLP	019128-001	1
		HSA		019128-003	1
		FOP/FCP	019127-007	1	
110	VDC	SSA	FLP	019127-002	1
		HSA		019127-001	1
		FOP/FCP	019127-003	1	
	2P	SSA	FLP	019128-001	1
		HSA		019128-003	1
		FOP/FCP	019127-007	1	
112	VDC	SSA	FLP	019127-005	1
		HSA		019127-004	1
		FOP/FCP	019127-003	1	
	2P	SSA	FLP	019128-002	1
		HSA		019128-009	1
		FOP/FCP	019127-007	1	
114	VDC	SSA	FLP	019127-005	1
		HSA		019127-004	1
		FOP/FCP	019127-003	1	
	2P	SSA	FLP	019128-002	1
		HSA		019128-009	1
		FOP/FCP	019127-007	1	
210	VDC	SSA	FLP	019127-005	1
		HSA		019127-004	1
		FOP/FCP	019127-003	1	
	2P	SSA	FLP	019128-002	1
		HSA		019128-009	1
		FOP/FCP	019127-007	1	
212	VDC	SSA	FLP	019127-005	1
		HSA		019127-004	1
		FOP/FCP	019127-003	1	
	2P	SSA	FLP	019128-002	1
		HSA		019128-009	1
		FOP/FCP	019127-007	1	
214	VDC	SSA	FLP	019127-005	1
		HSA		019127-004	1
		FOP/FCP	019127-003	1	
	2P	SSA	FLP	019128-002	1
		HSA		019128-009	1
		FOP/FCP	019127-007	1	

\*SEE VALVE ACTUATOR PRODUCT SUBMITTAL FOR ACTUATOR SPECIFICATIONS.

NOTE: PLEASE REFER TO PROJECT SUBMITTAL SCHEDULE FOR SELECTED OPTIONS. SPECIFICATIONS ARE SUBJECT TO CHANGE WITHOUT NOTICE.  
ALL METRIC DIMENSIONS ( ) ARE SOFT CONVERTED. IMPERIAL DIMENSIONS ARE CONVERTED TO METRIC AND ROUNDED TO THE NEAREST MILLIMETER.