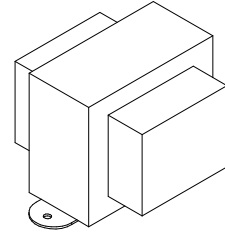
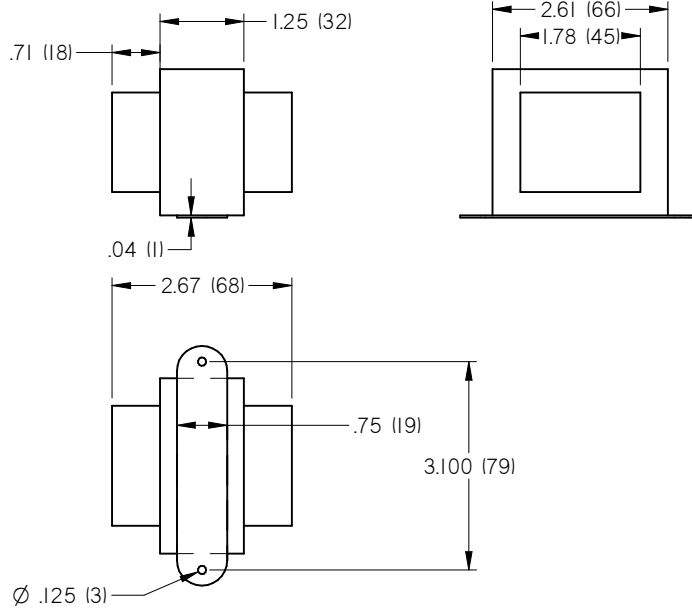


50VA - 120 TO 24VAC POWER TRANSFORMER (SHIPPED LOOSE)

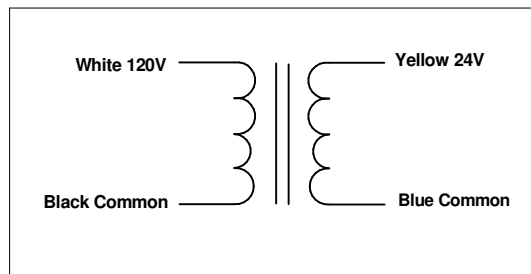
| VPT-50 SPECIFICATIONS: | |
|------------------------|-----------------|
| PRIMARY | 120VAC |
| FREQUENCY | 50/60Hz |
| LEADS | 18AWG, STRANDED |
| MOUNTING | FOOT MOUNT |
| WEIGHT | 2.0lbs. |



DIMENSIONS:



TERMINATION:

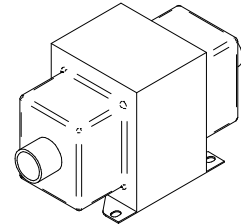


NOTE: SEE PROJECT SUBMITTAL SCHEDULE FOR SELECTED OPTIONS.

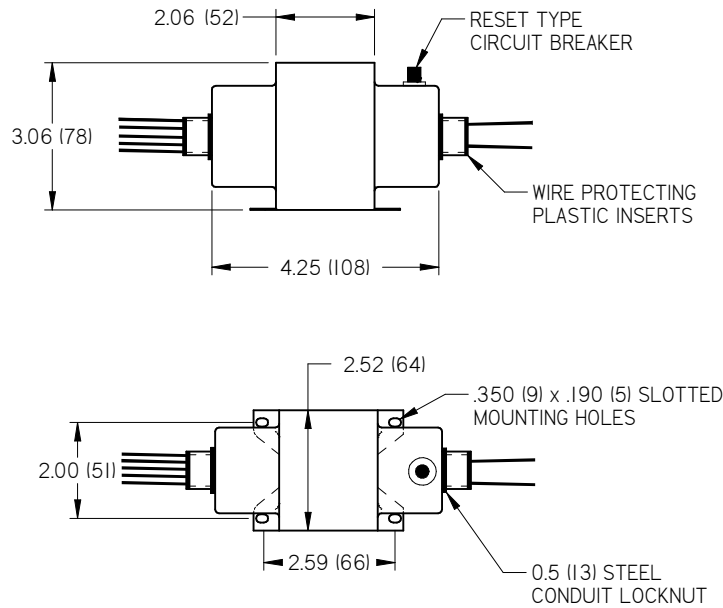
ALL METRIC DIMENSIONS () ARE SOFT CONVERTED. IMPERIAL DIMENSIONS ARE CONVERTED TO METRIC AND ROUNDED TO THE NEAREST MILLIMETER. SPECIFICATIONS ARE SUBJECT TO CHANGE WITHOUT NOTICE.

96VA - 120, 240, 277, 480 TO 24VAC POWER TRANSFORMER (SHIPPED LOOSE)

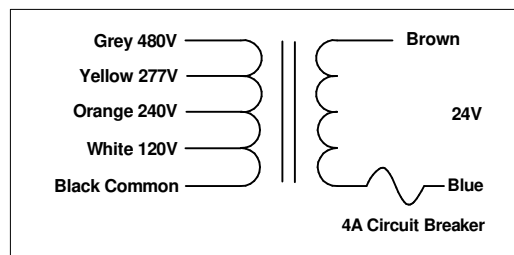
| VPT-96 SPECIFICATIONS: | |
|------------------------|------------------------------|
| PRIMARY | 480/277/240/120VAC |
| FREQUENCY | 50/60Hz |
| LEADS | 18AWG, STRANDED |
| MOUNTING | FOOT MOUNT |
| WEIGHT | 4.5lbs. |
| CIRCUIT PROTECTION | MANUAL RESET CIRCUIT BREAKER |



DIMENSIONS:



TERMINATION:

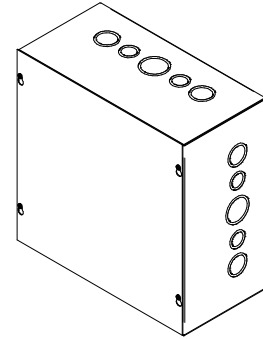


NOTE: SEE PROJECT SUBMITTAL SCHEDULE FOR SELECTED OPTIONS.

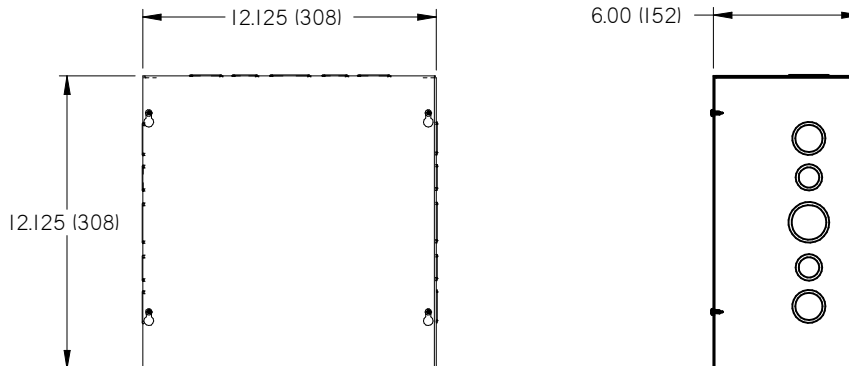
ALL METRIC DIMENSIONS () ARE SOFT CONVERTED. IMPERIAL DIMENSIONS ARE CONVERTED TO METRIC AND ROUNDED TO THE NEAREST MILLIMETER. SPECIFICATIONS ARE SUBJECT TO CHANGE WITHOUT NOTICE.

300VA - 120, 240, 277, 480 TO 24VAC POWER TRANSFORMER (PANEL MOUNTED)

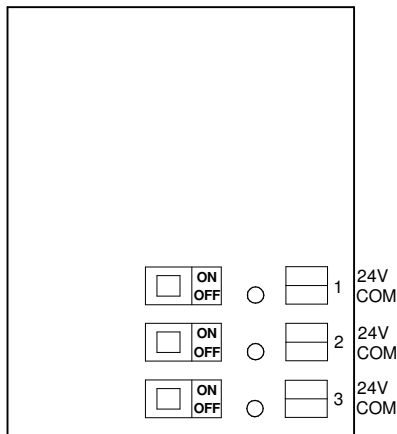
| VPT-300 SPECIFICATIONS: | |
|-------------------------|---|
| TRANSFORMER | 300VA |
| OVER CURRENT PROTECTION | CIRCUIT BREAKER |
| PRIMARY | 480/277/240/120VAC |
| FREQUENCY | 50/60Hz |
| HOUSING | NEMA 1 METAL ENCLOSURE |
| WEIGHT | 22.46lbs. |
| 3 SECONDARIES | 24VAC, WITH LED INDICATORS 4A BREAKER FOR EACH OUTPUT |
| 24 VAC ON/OFF | ON/OFF SWITCH & BREAKER |
| INPUT | 480/277/240/120VAC FINGER-SAFE TERMINALS, 8-18AWG |
| OUTPUT | 3 UNDERGROUNDED, ISOLATED, 100VA, CLASS 2 OUTPUTS TERMINALS ACCEPT 12-26AWG WIRE |



DIMENSIONS:



TERMINATION:



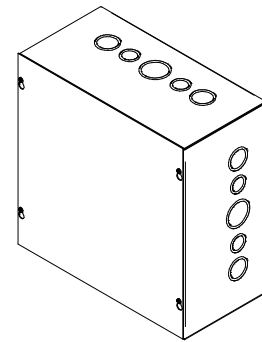
| | |
|----------|-------------------------|
| OUTPUT 1 | 24 VAC, 100 VA, CLASS 2 |
| OUTPUT 2 | 24 VAC, 100 VA, CLASS 2 |
| OUTPUT 3 | 24 VAC, 100 VA, CLASS 2 |

NOTE: SEE PROJECT SUBMITTAL SCHEDULE FOR SELECTED OPTIONS.

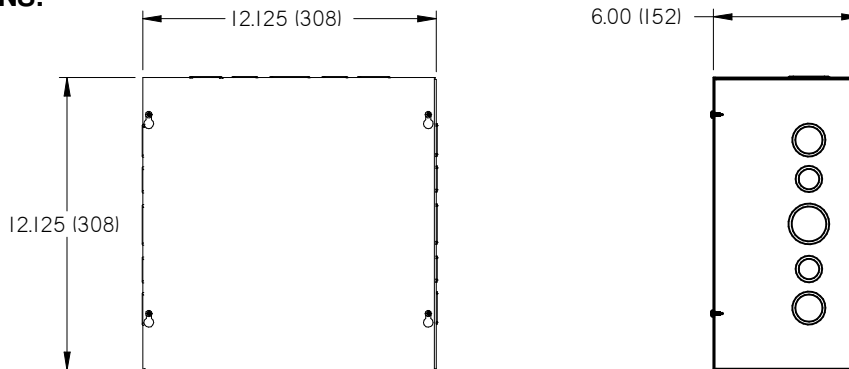
ALL METRIC DIMENSIONS () ARE SOFT CONVERTED. IMPERIAL DIMENSIONS ARE CONVERTED TO METRIC AND ROUNDED TO THE NEAREST MILLIMETER. SPECIFICATIONS ARE SUBJECT TO CHANGE WITHOUT NOTICE.

500VA - 120, 240, 277, 480 TO 24VAC POWER TRANSFORMER (PANEL MOUNTED)

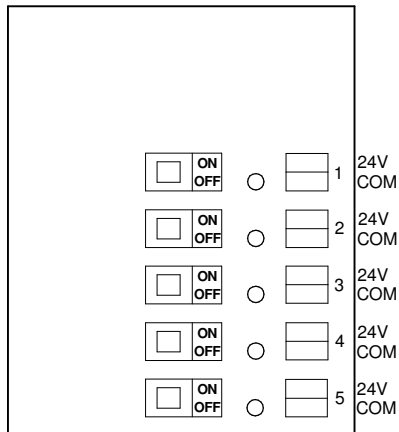
| VPT-500 SPECIFICATIONS: | |
|-------------------------|---|
| TRANSFORMER | 500VA |
| OVER CURRENT PROTECTION | CIRCUIT BREAKER |
| PRIMARY | 480/277/240/120VAC |
| FREQUENCY | 50/60Hz |
| HOUSING | NEMA 1 METAL ENCLOSURE |
| WEIGHT | 22.46lbs. |
| 3 SECONDARIES | 24VAC, WITH LED INDICATORS 4A BREAKER FOR EACH OUTPUT |
| 24 VAC ON/OFF | ON/OFF SWITCH & BREAKER |
| INPUT | 480/277/240/120VAC FINGER-SAFE TERMINALS, 8-18AWG |
| OUTPUT | 5 UNDERGROUNDED, ISOLATED, 100VA, CLASS 2 OUTPUTS TERMINALS ACCEPT 12-26AWG WIRE |



DIMENSIONS:



TERMINATION:



| | |
|----------|-------------------------|
| OUTPUT 1 | 24 VAC, 100 VA, CLASS 2 |
| OUTPUT 2 | 24 VAC, 100 VA, CLASS 2 |
| OUTPUT 3 | 24 VAC, 100 VA, CLASS 2 |
| OUTPUT 4 | 24 VAC, 100 VA, CLASS 2 |
| OUTPUT 5 | 24 VAC, 100 VA, CLASS 2 |

NOTE: SEE PROJECT SUBMITTAL SCHEDULE FOR SELECTED OPTIONS.

ALL METRIC DIMENSIONS () ARE SOFT CONVERTED. IMPERIAL DIMENSIONS ARE CONVERTED TO METRIC AND ROUNDED TO THE NEAREST MILLIMETER. SPECIFICATIONS ARE SUBJECT TO CHANGE WITHOUT NOTICE.