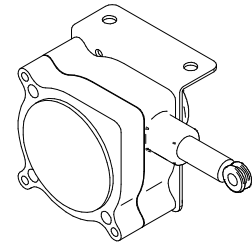
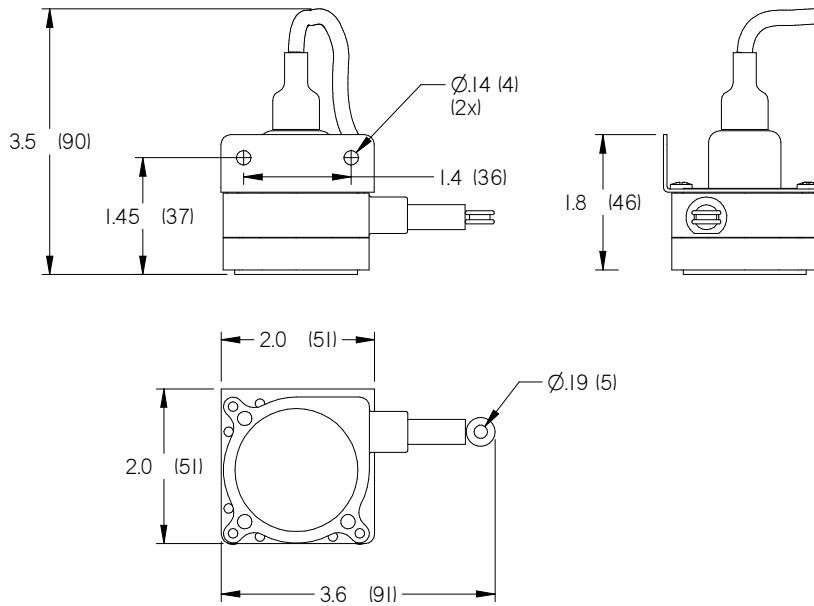


SASH POSITION SENSOR - 50in. (1270mm) STROKE RANGE

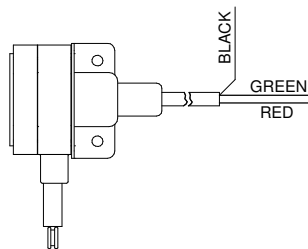
SPS SPECIFICATIONS:	
ENVIRONMENTAL (OPERATING)	-50°F to 120°F (-10°C to 50°C), 5% to 95% R.H.(NON-CONDENSING)
OUTPUT SIGNAL	VOLTAGE DIVIDER UTILIZING 10K POT
CONNECTION TYPE	2-WIRE
MEASURING CABLE	NYLON COATED STAINLESS STEEL
STROKE RANGE	0 to 50in. (0 to 1270mm)
HOUSING	IP 50 PLASTIC
ACCURACY	±0.25% FS



DIMENSIONS:



TERMINATION:



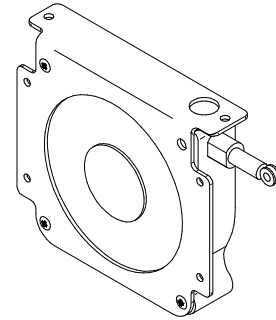
GREEN	SASH POSITION FEEDBACK
RED	
BLACK	NOT REQUIRED

NOTE: PLEASE REFER TO FHC MANUAL FOR INSTALLATION AND SETUP INSTRUCTIONS
SEE PROJECT SUBMITTAL SCHEDULE FOR SELECTED OPTIONS.

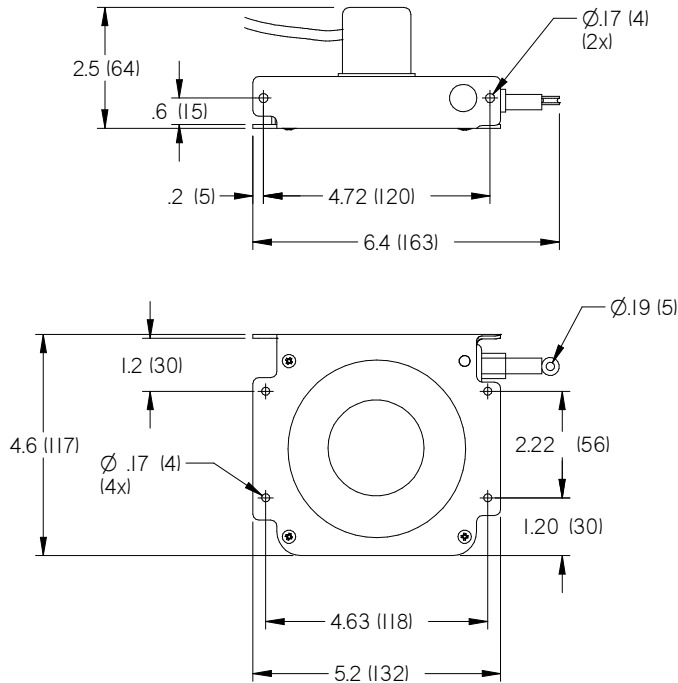
ALL METRIC DIMENSIONS () ARE SOFT CONVERTED. IMPERIAL DIMENSIONS ARE CONVERTED TO METRIC AND ROUNDED TO THE NEAREST MILLIMETER.
SPECIFICATIONS ARE SUBJECT TO CHANGE WITHOUT NOTICE.

SASH POSITION SENSOR - 100in. (2540mm) STROKE RANGE

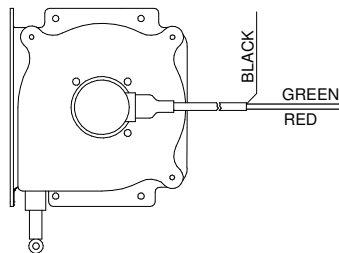
SPS SPECIFICATIONS:	
ENVIRONMENTAL (OPERATING)	-50°F to 120°F (-10°C to 50°C), 5% to 95% R.H.(NON-CONDENSING)
OUTPUT SIGNAL	VOLTAGE DIVIDER UTILIZING 10K POT
CONNECTION TYPE	2-WIRE
MEASURING CABLE	NYLON COATED STAINLESS STEEL
STROKE RANGE	0 to 100in. (0 to 2540mm)
HOUSING	IP 50 PLASTIC
ACCURACY	±0.25% FS



DIMENSIONS:



TERMINATION:



GREEN	SASH POSITION FEEDBACK
RED	
BLACK	NOT REQUIRED

NOTE: PLEASE REFER TO FHC MANUAL FOR INSTALLATION AND SETUP INSTRUCTIONS
SEE PROJECT SUBMITTAL SCHEDULE FOR SELECTED OPTIONS.

ALL METRIC DIMENSIONS () ARE SOFT CONVERTED. IMPERIAL DIMENSIONS ARE CONVERTED TO METRIC AND ROUNDED TO THE NEAREST MILLIMETER.
SPECIFICATIONS ARE SUBJECT TO CHANGE WITHOUT NOTICE.