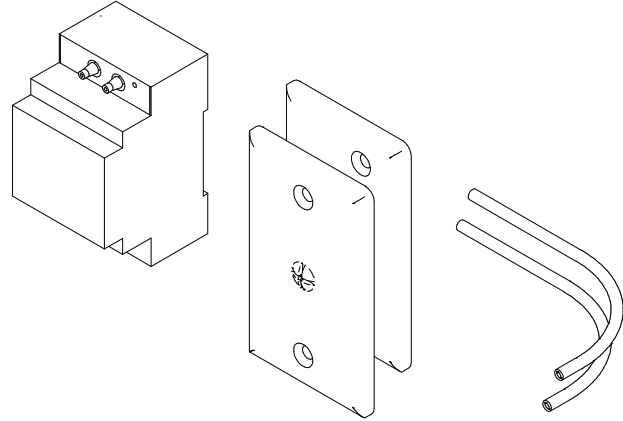
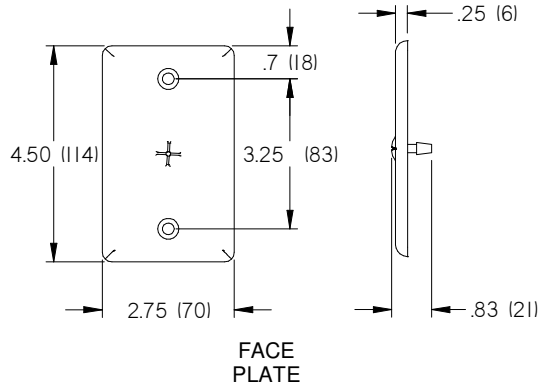
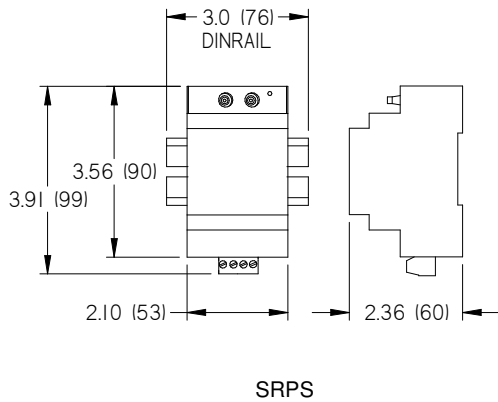


ROOM PRESSURE SENSOR (SRPS)

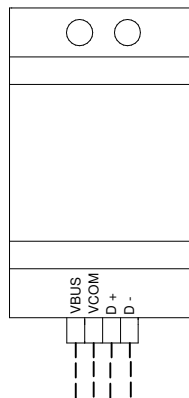
SRPS SPECIFICATIONS:	
ENVIRONMENTAL (OPERATING)	50°F to 95°F (10°C to 35°C) 0% to 95% R.H.(NON-CONDENSING)
ENVIRONMENTAL (STORAGE)	-22°F to 122°F (-30°C to 50°C) 0% to 95% R.H.(NON-CONDENSING)
INPUT POWER	POWERED FROM PMT OR PACE
RANGE	+/- 0.1 in.w.c. (+/- 25 Pa)
ACCURACY	3% OF READING
PRESSURE TUBING	24in. (588mm) LONG, BLACK, FIRE-RATED
FACE PLATE	ABS PLASTIC, WHITE



DIMENSIONS:



TERMINATION:



VBUS	INPUT POWER, HOT
VCOM	INPUT POWER, GROUND
D +	NET +
D -	NET -

NOTE: PLEASE REFER TO PACE MANUAL FOR INSTALLATION AND SETUP INSTRUCTIONS.
SEE PROJECT SUBMITTAL SCHEDULE FOR SELECTED OPTIONS.

ALL METRIC DIMENSIONS () ARE SOFT CONVERTED. IMPERIAL DIMENSIONS ARE CONVERTED TO METRIC AND ROUNDED TO THE NEAREST MILLIMETER.
SPECIFICATIONS ARE SUBJECT TO CHANGE WITHOUT NOTICE.