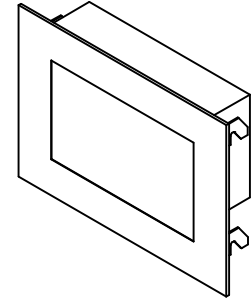
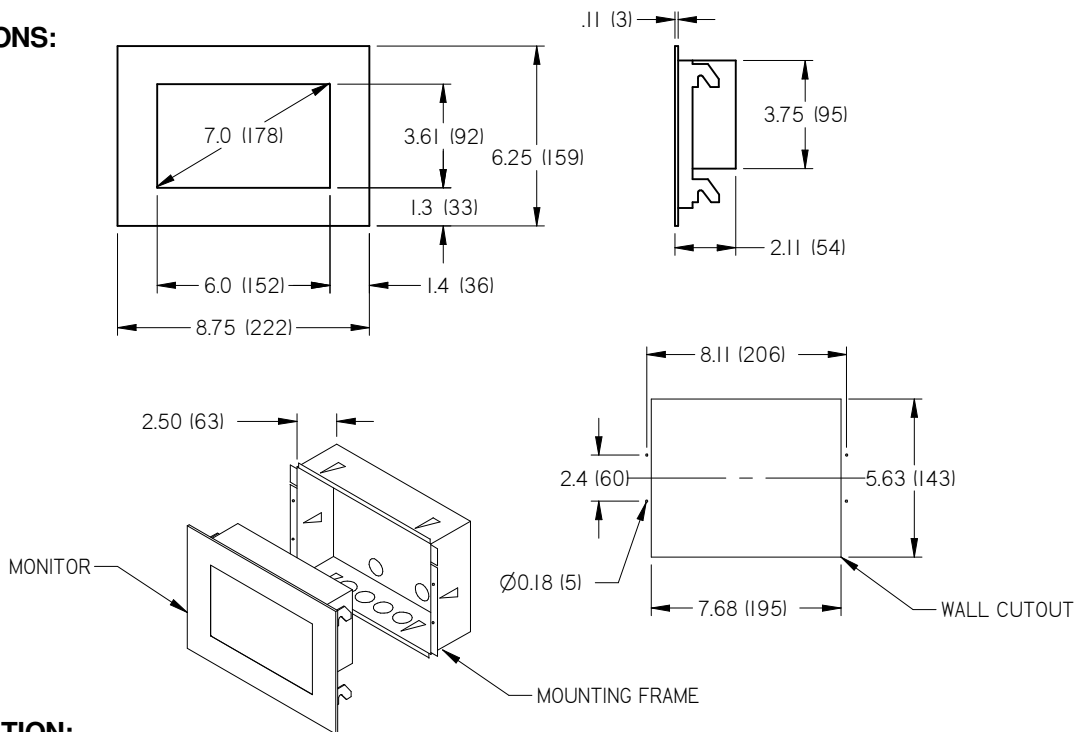


□ 7in. (178mm) SCREEN SIZE (S7)

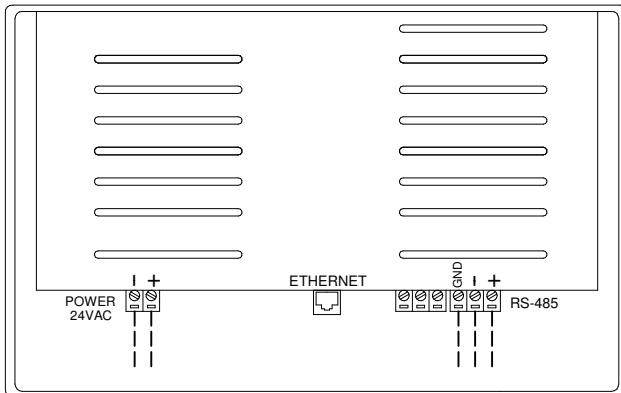
MVM SPECIFICATIONS:	
ENVIRONMENTAL (OPERATING)	50°F to 105°F (10°C to 40°C), 10% to 90% R.H.(NON-CONDENSING)
INPUT POWER	24 VAC +/- 10%, 50/60 Hz, 14 VA, CLASS 2
DISPLAY TYPE	CAPACITIVE TOUCH, 7in. (178mm), DIMMABLE
RESOLUTION	800px x 480px, 262144 COLORS
FACE	GLASS, IP54
COMMUNICATION PROTOCOL	BACNET MS/TP, BACNET IP



**DIMENSIONS:**



**TERMINATION:**



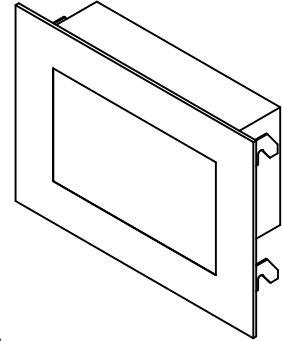
POWER +	INPUT POWER, HOT
POWER -	INPUT POWER, GROUND
ETHERNET	IP CONNECTION FOR BACNET IP OR TO LAPTOP FOR CONFIGURATION
GND	NET COM
+	NET +
-	NET -

NOTE: PLEASE REFER TO MVM MANUAL FOR INSTALLATION, SETUP INSTRUCTIONS AND ADDITIONAL INFORMATION. SEE PROJECT SUBMITTAL SCHEDULE FOR SELECTED OPTIONS.

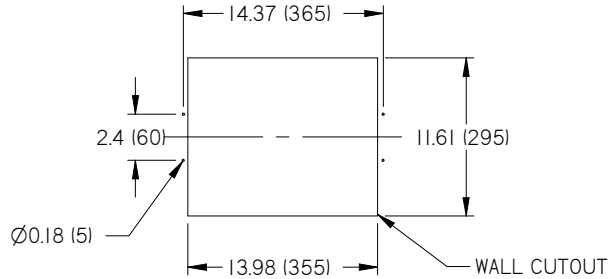
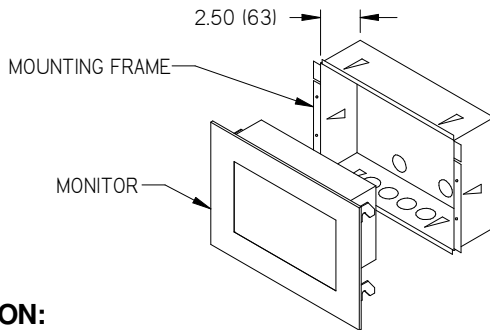
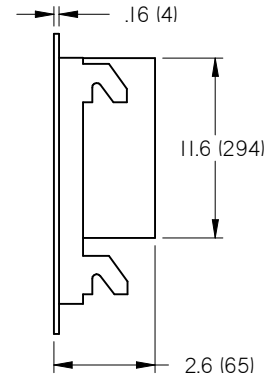
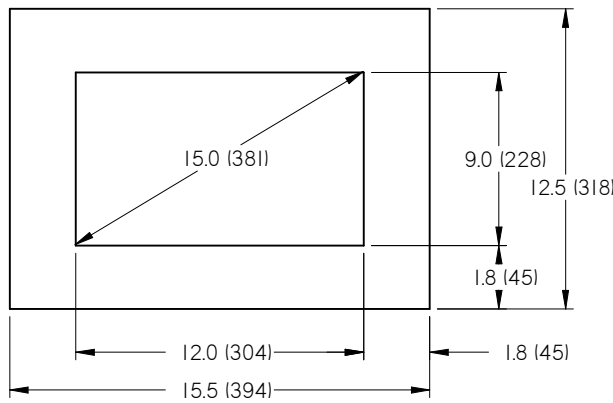
ALL METRIC DIMENSIONS ( ) ARE SOFT CONVERTED. IMPERIAL DIMENSIONS ARE CONVERTED TO METRIC AND ROUNDED TO THE NEAREST MILLIMETER. SPECIFICATIONS ARE SUBJECT TO CHANGE WITHOUT NOTICE.

□ 15in. (381mm) SCREEN SIZE (S15)

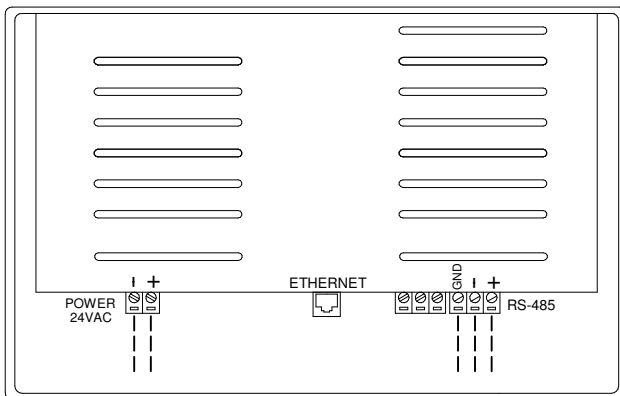
MVM SPECIFICATIONS:	
ENVIRONMENTAL (OPERATING)	50°F to 105°F (10°C to 40°C), 10% to 90% R.H.(NON-CONDENSING)
INPUT POWER	24 VAC +/- 10%, 50/60 Hz, 25 VA, CLASS 2
DISPLAY TYPE	CAPACITIVE TOUCH, 15in. (381mm), DIMMABLE
RESOLUTION	1024px x 768px, 262144 COLORS
FACE	GLASS, IP54
COMMUNICATION PROTOCOL	BACNET MS/TP, BACNET IP



**DIMENSIONS:**



**TERMINATION:**



POWER +	INPUT POWER, HOT
POWER -	INPUT POWER, GROUND
ETHERNET	IP CONNECTION FOR BACNET IP OR TO LAPTOP FOR CONFIGURATION
GND	NET COM
+	NET +
-	NET -

NOTE: PLEASE REFER TO MVM MANUAL FOR INSTALLATION, SETUP INSTRUCTIONS AND ADDITIONAL INFORMATION. SEE PROJECT SUBMITTAL SCHEDULE FOR SELECTED OPTIONS.

ALL METRIC DIMENSIONS ( ) ARE SOFT CONVERTED. IMPERIAL DIMENSIONS ARE CONVERTED TO METRIC AND ROUNDED TO THE NEAREST MILLIMETER. SPECIFICATIONS ARE SUBJECT TO CHANGE WITHOUT NOTICE.

**CONFIGURATIONS:**

SINGLE ROOM CONFIGURATIONS (1RM)

- |   |  |
|---|--|
| <p><input type="checkbox"/> CONFIGURATION TYPE: (1)<br/>DISPLAY POINTS: (RMP-RMT-RMRH)</p> <ul style="list-style-type: none"> <li>•Room Pressure</li> <li>•Temperature</li> <li>•Humidity</li> <li>•Room Status</li> <li>•Alarm/Caution Reason</li> <li>•Room Pressure Mode</li> <li>•Room Mode Override</li> </ul> | <p><input type="checkbox"/> CONFIGURATION TYPE: (2)<br/>DISPLAY POINTS: (RMP-RMT-ACH)</p> <ul style="list-style-type: none"> <li>•Room Pressure</li> <li>•Temperature</li> <li>•Air Changes per Hour</li> <li>•Room Status</li> <li>•Alarm/Caution Reason</li> <li>•Room Pressure Mode</li> <li>•Room Mode Override</li> </ul> |
| <p><input type="checkbox"/> CONFIGURATION TYPE: (3)<br/>DISPLAY POINTS: (RMT-RMRH-CO2)</p> <ul style="list-style-type: none"> <li>•Temperature</li> <li>•Humidity</li> <li>•CO2</li> <li>•Room Status</li> <li>•Alarm/Caution Reason</li> <li>•Room Pressure Mode</li> <li>•Room Mode Override</li> </ul>           | <p><input type="checkbox"/> CONFIGURATION TYPE: (4)<br/>DISPLAY POINTS: (RMT-RMRH-ACH)</p> <ul style="list-style-type: none"> <li>•Temperature</li> <li>•Humidity</li> <li>•Air Changes per Hour</li> <li>•Room Status</li> <li>•Alarm/Caution Reason</li> <li>•Room Pressure Mode</li> <li>•Room Mode Override</li> </ul>     |

TWO ROOM CONFIGURATIONS (2RM)

- |  |   |
|--|---|
| <p><input type="checkbox"/> CONFIGURATION TYPE: (5)<br/>DISPLAY POINTS FOR EACH ROOM: (RMP-RMRH)</p> <ul style="list-style-type: none"> <li>•Room Pressure</li> <li>•Humidity</li> <li>•Room Status</li> <li>•Alarm/Caution Reason</li> <li>•Room Mode Override</li> </ul> | <p><input type="checkbox"/> CONFIGURATION TYPE: (6)<br/>DISPLAY POINTS FOR EACH ROOM: (RMP-ACH)</p> <ul style="list-style-type: none"> <li>•Room Pressure</li> <li>•Air Changes per Hour</li> <li>•Room Status</li> <li>•Alarm/Caution Reason</li> <li>•Room Mode Override</li> </ul> |
| <p><input type="checkbox"/> CONFIGURATION TYPE: (7)<br/>DISPLAY POINTS FOR EACH ROOM: (RMT-RMRH)</p> <ul style="list-style-type: none"> <li>•Temperature</li> <li>•Humidity</li> <li>•Room Status</li> <li>•Alarm/Caution Reason</li> <li>•Room Mode Override</li> </ul>   | <p><input type="checkbox"/> CONFIGURATION TYPE: (8)<br/>DISPLAY POINTS FOR EACH ROOM: (RMT-ACH)</p> <ul style="list-style-type: none"> <li>•Temperature</li> <li>•Air Changes per Hour</li> <li>•Room Status</li> <li>•Alarm/Caution Reason</li> <li>•Room Mode Override</li> </ul>   |

THREE ROOM CONFIGURATIONS (3RM)

- |  |  |
|--|--|
| <p><input type="checkbox"/> CONFIGURATION TYPE: (9)<br/>DISPLAY POINTS FOR EACH ROOM: (RMP-RMT)</p> <ul style="list-style-type: none"> <li>•Room Pressure</li> <li>•Temperature</li> <li>•Room Status</li> <li>•Alarm/Caution Reason</li> <li>•Room Mode Override</li> </ul> | <p><input type="checkbox"/> CONFIGURATION TYPE: (10)<br/>DISPLAY POINTS FOR EACH ROOM: (RMP-ACH)</p> <ul style="list-style-type: none"> <li>•Room Pressure</li> <li>•Air Changes per Hour</li> <li>•Room Status</li> <li>•Alarm/Caution Reason</li> <li>•Room Mode Override</li> </ul> |
| <p><input type="checkbox"/> CONFIGURATION TYPE: (11)<br/>DISPLAY POINTS FOR EACH ROOM: (RMT-RMRH)</p> <ul style="list-style-type: none"> <li>•Temperature</li> <li>•Humidity</li> <li>•Room Status</li> <li>•Alarm/Caution Reason</li> <li>•Room Mode Override</li> </ul>    | <p><input type="checkbox"/> CONFIGURATION TYPE: (12)<br/>DISPLAY POINTS FOR EACH ROOM: (RMT-ACH)</p> <ul style="list-style-type: none"> <li>•Temperature</li> <li>•Air Changes per Hour</li> <li>•Room Status</li> <li>•Alarm/Caution Reason</li> <li>•Room Mode Override</li> </ul>   |

NOTE: PLEASE REFER TO MVM MANUAL FOR INSTALLATION, SETUP INSTRUCTIONS AND ADDITIONAL INFORMATION.  
SEE PROJECT SUBMITTAL SCHEDULE FOR SELECTED OPTIONS.

ALL METRIC DIMENSIONS ( ) ARE SOFT CONVERTED. IMPERIAL DIMENSIONS ARE CONVERTED TO METRIC AND ROUNDED TO THE NEAREST MILLIMETER.  
SPECIFICATIONS ARE SUBJECT TO CHANGE WITHOUT NOTICE.

**CONFIGURATIONS (CONTINUED):**

FOUR ROOM CONFIGURATIONS (4RM)

CONFIGURATION TYPE: (13)  
DISPLAY POINTS FOR EACH ROOM: (RMP)

- Room Pressure
- Room Status
- Alarm/Caution Reason
- Room Mode Override

CONFIGURATION TYPE: (14)  
DISPLAY POINTS FOR EACH ROOM: (RMT)

- Temperature
- Room Status
- Alarm/Caution Reason
- Room Mode Override

CONFIGURATION TYPE: (15)  
DISPLAY POINTS FOR EACH ROOM: (ACH)

- Air Changes per Hour
- Room Status
- Alarm/Caution Reason
- Room Mode Override

SIX ROOM CONFIGURATIONS (6RM)

CONFIGURATION TYPE: (16)  
DISPLAY POINTS FOR EACH ROOM: (RMP)

- Room Pressure
- Room Status
- Alarm/Caution Reason
- Room Mode Override

CONFIGURATION TYPE: (17)  
DISPLAY POINTS FOR EACH ROOM: (RMT)

- Temperature
- Room Status
- Alarm/Caution Reason
- Room Mode Override

CONFIGURATION TYPE: (18)  
DISPLAY POINTS FOR EACH ROOM: (ACH)

- Air Changes per Hour
- Room Status
- Alarm/Caution Reason
- Room Mode Override

EIGHT ROOM CONFIGURATIONS (8RM)

CONFIGURATION TYPE: (19)  
DISPLAY POINTS FOR EACH ROOM: (RMP)

- Room Pressure
- Room Status
- Alarm/Caution Reason
- Room Mode Override

CONFIGURATION TYPE: (20)  
DISPLAY POINTS FOR EACH ROOM: (RMT)

- Temperature
- Room Status
- Alarm/Caution Reason
- Room Mode Override

CONFIGURATION TYPE: (21)  
DISPLAY POINTS FOR EACH ROOM: (ACH)

- Air Changes per Hour
- Room Status
- Alarm/Caution Reason
- Room Mode Override

NOTE: PLEASE REFER TO MVM MANUAL FOR INSTALLATION, SETUP INSTRUCTIONS AND ADDITIONAL INFORMATION.  
SEE PROJECT SUBMITTAL SCHEDULE FOR SELECTED OPTIONS.

ALL METRIC DIMENSIONS ( ) ARE SOFT CONVERTED. IMPERIAL DIMENSIONS ARE CONVERTED TO METRIC AND ROUNDED TO THE NEAREST MILLIMETER.  
SPECIFICATIONS ARE SUBJECT TO CHANGE WITHOUT NOTICE.