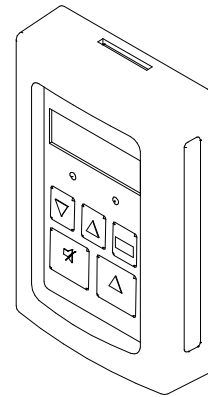
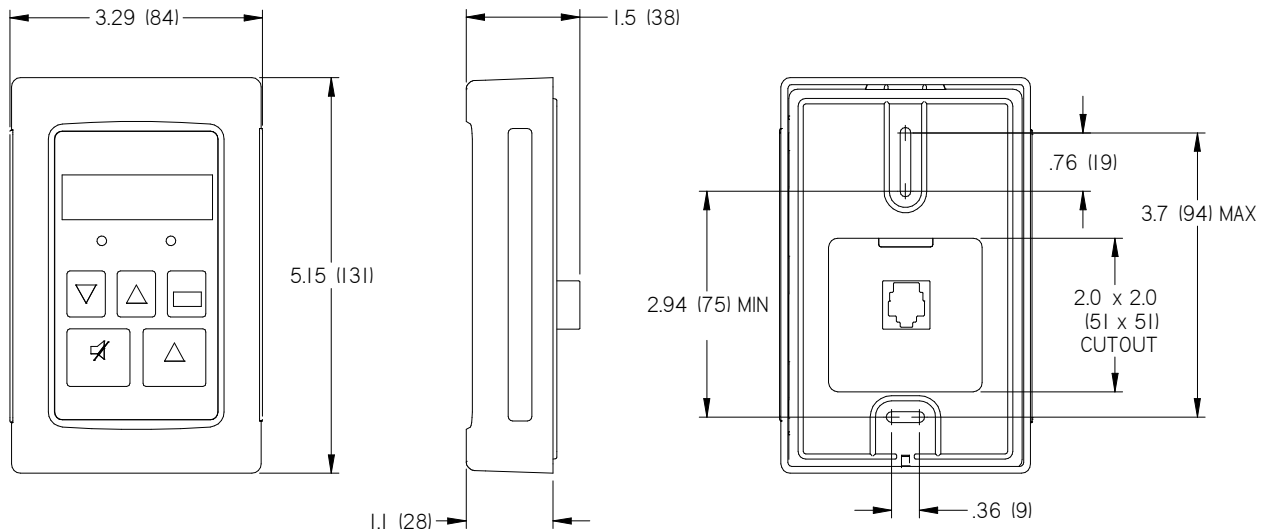


FHI SPECIFICATIONS:	
ENVIRONMENTAL (OPERATING)	50°F to 122°F (10°C to 50°C), 5% to 95% R.H.(NON-CONDENSING)
ENVIRONMENTAL (STORAGE)	-22°F to 122°F (-30°C to 50°C), 0% to 95% R.H.(NON-CONDENSING)
INPUT POWER	POWERED FROM FUME HOOD CONTROLLER (FHC)
INDICATORS	LCD SCREEN, 180° SIDEVIEW RGB LED, SPEAKER
CONNECTION TYPE	RJ-45
INPUT TYPE	KEYPAD
HOUSING	UL 94 V-0, ABS PLASTIC



DIMENSIONS:



NOTE: PLEASE REFER TO FHC MANUAL FOR INSTALLATION AND SETUP INSTRUCTIONS.
SEE PROJECT SUBMITTAL SCHEDULE FOR SELECTED OPTIONS.

ALL METRIC DIMENSIONS () ARE SOFT CONVERTED. IMPERIAL DIMENSIONS ARE CONVERTED TO METRIC AND ROUNDED TO THE NEAREST MILLIMETER.
SPECIFICATIONS ARE SUBJECT TO CHANGE WITHOUT NOTICE.