

STANDARD HOT WATER COIL SPECIFICATIONS

NOMINAL SIZE A	IMPERIAL UNITS (SI UNITS), in(mm)						
	B	C	COIL CONNECTIONS			D	
			1 ROW STD	1 ROW HC	2,3,4 ROW	1 ROW STD	1 ROW HC, 2,3,4 ROW
8	12(305)	10(254)	1/2(13)	1/2(13)	7/8(22)	8 3/4(222)	8 7/8(225)
10	14(356)	12 1/2(318)	7/8(22)	1/2(13)	7/8(22)	11 1/4(286)	11 3/8(289)
12	16(406)	15(381)	7/8(22)	1/2(13)	7/8(22)	13 3/4(349)	13 7/8(352)
14	20(508)	17 1/2(445)	7/8(22)	1/2(13)	7/8(22)	16 3/8(416)	16 3/8(416)

NOMINAL SIZE A	COIL WEIGHT lb(kg)			
	1 ROW	2 ROW	3 ROW	4 ROW
8	6 1/2(3)	9(4)	13(6)	17 (8)
10	8 1/2(4)	11(5)	16(7 1/2)	20(9)
12	11(5)	14(6 1/2)	19(8 1/2)	23(10 1/2)
14	14(6 1/2)	19(8 1/2)	23(10 1/2)	27(12 1/2)

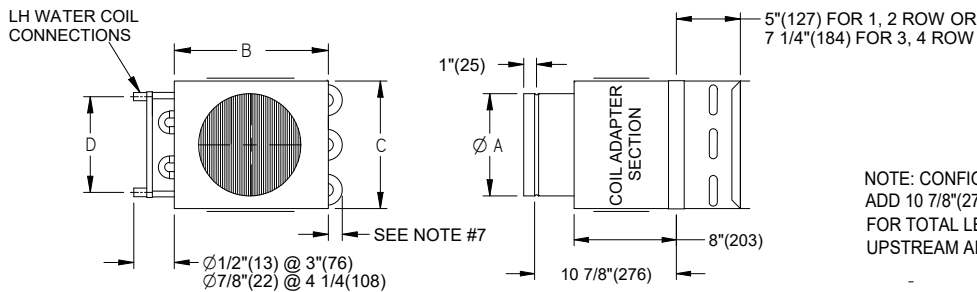
NOTE: WEIGHTS ARE ±3lb (1.5kg)

OVERSIZED HOT WATER COIL SPECIFICATIONS

VENTURI SIZE	WATER COIL SIZE	IMPERIAL UNITS (SI UNITS), in(mm)								
		B	C	INLET ØA	COIL CONNECTIONS			D		
					1 ROW STD	1 ROW HC	2,3,4 ROW	1 ROW STD	1 ROW HC, 2,3,4 ROW	
8	10	14(356)	12 1/2(318)	8(203)	7/8(22)	1/2(13)	7/8(22)	11 1/4(286)	11 3/8(289)	
10	12	16(406)	15(381)	10(254)	7/8(22)	1/2(13)	7/8(22)	13 3/4(349)	13 7/8(352)	
12	14	20(508)	17 1/2(445)	12(305)	7/8(22)	1/2(13)	7/8(22)	16 3/8(416)	16 3/8(416)	
14	212	24(610)	18(457)	14(356)	7/8(22)	7/8(22)	7/8(22)	16 3/8(416)	16 3/8(416)	

NOMINAL SIZE A	COIL WEIGHT lb(kg)			
	1 ROW	2 ROW	3 ROW	4 ROW
8	8 1/2(4)	11(5)	16(7 1/2)	20(9)
10	11(5)	14(6 1/2)	19(8 1/2)	23(10 1/2)
12	14(6 1/2)	19(8 1/2)	23(10 1/2)	27(12 1/2)
14	16(7 1/2)	22(10)	31(14)	34(15 1/2)

NOTE: WEIGHTS ARE ±3lb (1.5kg)



NOTE: CONFIGURATION WITH SINGLE ADAPTER SHOWN. ADD 10 7/8" (276) LENGTH OF SECOND ADAPTER FOR TOTAL LENGTH OF UNIT WITH UPSTREAM AND DOWNSTREAM ADAPTERS.



- NOTES:
1. FABRICATED FROM 22 GA. GALVANIZED STEEL, MECHANICALLY SEALED, LEAK RESISTANT CONSTRUCTION.
 2. HOT WATER COILS HAVE COPPER TUBES AND ALUMINUM FINS WITH O.D. SWEAT CONNECTIONS.
 3. REFER TO SUBMITTED TERMINAL UNIT SCHEDULE FOR AIR VOLUMES AND HOT WATER COIL CAPACITIES.
 4. METHOD OF VENTING HOT WATER COIL IS TO BE PROVIDED BY INSTALLING CONTRACTOR.
 5. ACCESS DOORS WITH GASKETED PERIMETER FOR INSPECTION AND MAINTENANCE OF COIL, TOP & BOTTOM.
 6. HAND OF HOT WATER COIL CONNECTIONS IS DETERMINED WHEN VIEWED FROM AIR INLET SIDE.
 7. ALLOW 1 1/2" (38) MINIMUM CLEARANCE FOR INSTALLATION AT THIS END.
 8. CONFIGURATION OF COIL CONNECTION VARIES WITH SIZE & CIRCUITRY OF COIL.
 9. PERFORMANCE RATED AND CERTIFIED IN ACCORDANCE WITH THE CURRENT EDITION OF ARI STANDARD 410.
 10. IT IS NOT RECOMMENDED TO REVERSE 3 & 4 ROW COILS. INDICATE HANDING WHILE ORDERING.
 11. STANDARD COILS SUPPLIED WITH 10 FINS PER INCH / HIGH CAPACITY COILS SUPPLIED WITH 12 FINS PER INCH.
 12. HIGH CAPACITY ONLY AVAILABLE FOR 1 AND 2 ROW COILS.

NOTE: PLEASE REFER TO VV MANUAL FOR INSTALLATION INSTRUCTIONS.
SEE PROJECT SUBMITTAL SCHEDULE FOR SELECTED OPTIONS.

ALL METRIC DIMENSIONS () ARE SOFT CONVERTED. IMPERIAL DIMENSIONS ARE CONVERTED TO METRIC AND ROUNDED TO THE NEAREST MILLIMETER.

STANDARDHOT WATER COIL SPECIFICATIONS

VENTURI VALVE NOMINAL SIZE- (W x H)	B in(mm)	C in(mm)
SIZE 210 - (22"x11")	20(508)	17 1/2(445)
SIZE 212 - (26"x13")	24(610)	18(457)
SIZE 214 - (30"x15")	38(965)	18(457)
SIZE 312 - (39"x13")	38(965)	18(457)
SIZE 314 - (45"x15")	56(1422)	18(457)
SIZE 412 - (52"x13")	56(1422)	18(457)

VENTURI VALVE SIZE	COIL WEIGHT lb(kg)		
	1 ROW	2 ROW	3 ROW
SIZE 210	14(6 1/2)	19(8 1/2)	23(10 1/2)
SIZE 212	16(7 1/2)	22(10)	31(14)
SIZE 214	21(9 1/2)	30(13 1/2)	36(16 1/2)
SIZE 312	21(9 1/2)	30(13 1/2)	36(16 1/2)
SIZE 314	39(17 1/2)	53(24)	N/A
SIZE 412	39(17 1/2)	53(24)	N/A

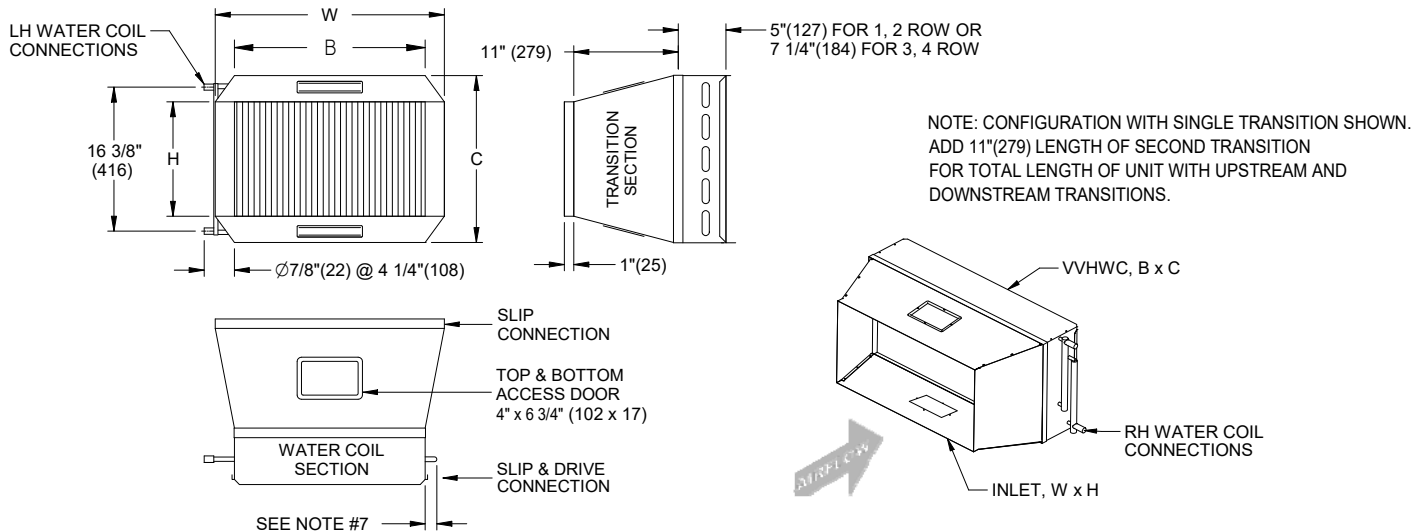
NOTE: WEIGHTS ARE ±3lb (1.5kg)

OVERSIZED HOT WATER COIL SPECIFICATIONS

VENTURI VALVE NOMINAL SIZE- (W x H)	B in(mm)	C in(mm)
SIZE 210 - (22"x11")	24(610)	18(457)
SIZE 212 - (26"x13")	38(965)	18(457)
SIZE 214 - (30"x15")	56(1422)	18(457)
SIZE 312 - (39"x13")	56(1422)	18(457)

VENTURI VALVE SIZE	COIL WEIGHT lb(kg)			
	1 ROW	2 ROW	3 ROW	4 ROW
SIZE 210	16(7 1/2)	22(10)	31(14)	34(15 1/2)
SIZE 212	21(9 1/2)	30(13 1/2)	36(16 1/2)	40(18)
SIZE 214	39(17 1/2)	53(24)	N/A	N/A
SIZE 312	39(17 1/2)	53(24)	N/A	N/A

NOTE: WEIGHTS ARE ±3lb (1.5kg)



- NOTES:
1. FABRICATED FROM 22 GA. GALVANIZED STEEL, MECHANICALLY SEALED, LEAK RESISTANT CONSTRUCTION.
 2. HOT WATER COILS HAVE COPPER TUBES AND ALUMINUM FINS WITH O.D. SWEAT CONNECTIONS.
 3. REFER TO SUBMITTED TERMINAL UNIT SCHEDULE FOR AIR VOLUMES AND HOT WATER COIL CAPACITIES.
 4. METHOD OF VENTING HOT WATER COIL IS TO BE PROVIDED BY INSTALLING CONTRACTOR.
 5. ACCESS DOORS WITH GASKETED PERIMETER FOR INSPECTION AND MAINTENANCE OF COIL, TOP & BOTTOM.
 6. HAND OF HOT WATER COIL CONNECTIONS IS DETERMINED WHEN VIEWED FROM AIR INLET SIDE.
 7. ALLOW 1 1/2"(38) MINIMUM CLEARANCE FOR INSTALLATION AT THIS END.
 8. CONFIGURATION OF COIL CONNECTION VARIES WITH SIZE & CIRCUITRY OF COIL.
 9. PERFORMANCE RATED AND CERTIFIED IN ACCORDANCE WITH THE CURRENT EDITION OF ARI STANDARD 410.
 10. IT IS NOT RECOMENDED TO REVERSE 3 & 4 ROW COILS. INDICATE HANDING WHILE ORDERING.
 11. STANDARD COILS SUPPLIED WITH 10 FINS PER INCH / HIGH CAPACITY COILS SUPPLIED WITH 12 FINS PER INCH.
 12. HIGH CAPACITY ONLY AVAILABLE FOR 1 AND 2 ROW COILS.

NOTE: PLEASE REFER TO VV MANUAL FOR INSTALLATION INSTRUCTIONS.
SEE PROJECT SUBMITTAL SCHEDULE FOR SELECTED OPTIONS.

ALL METRIC DIMENSIONS () ARE SOFT CONVERTED. IMPERIAL DIMENSIONS ARE CONVERTED TO METRIC AND ROUNDED TO THE NEAREST MILLIMETER.

- OPTIONS:**
- VENTURI VALVE WITH STANDARD CAPACITY (SC) HWC
 - VENTURI VALVE WITH HIGH CAPACITY (HC) HWC. ONLY 1 & 2 ROW HC COILS AVAILABLE
 - VENTURI VALVE WITH OVERSIZED STANDARD CAPACITY (OSC) HWC
 - VENTURI VALVE WITH OVERSIZED HIGH CAPACITY (OHC) HWC. ONLY 1 & 2 ROW HC COILS AVAILABLE

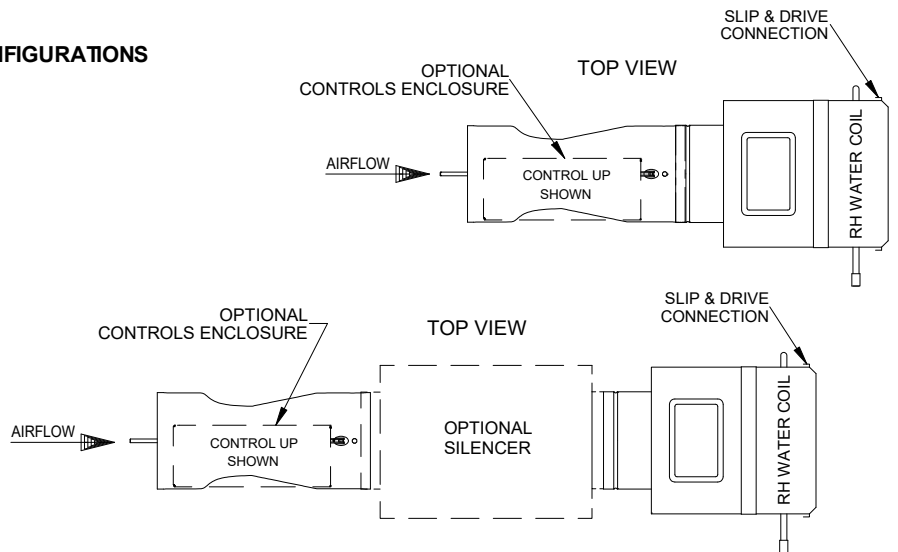
NOTE: OVERSIZED WATER COIL OPTION UTILIZES AN ADAPTER ONE SIZE LARGER THAN STANDARD VENTURI UNIT.

SINGLE VALVE, CONTROLS & WC ADAPTOR CONFIGURATIONS

CONTROL ENCLOSURE ORIENTATION OPTIONS:

- RIGHT HAND (R) HWC / CONTROL UP (CVT)
- RIGHT HAND (R) HWC / CONTROL DOWN (CVB)
- RIGHT HAND (R) HWC / CONTROL LH (CVL)
- RIGHT HAND (R) HWC / CONTROL RH (CVR)
- LEFT HAND (L) HWC / CONTROL UP (CVT)
- LEFT HAND (L) HWC / CONTROL DOWN (CVB)
- LEFT HAND (L) HWC / CONTROL LH (CVL)
- LEFT HAND (L) HWC / CONTROL RH (CVR)

NOTE: COIL SHIPPED LOOSE FROM VALVE (CSL)
UNLESS OTHERWISE SPECIFIED.

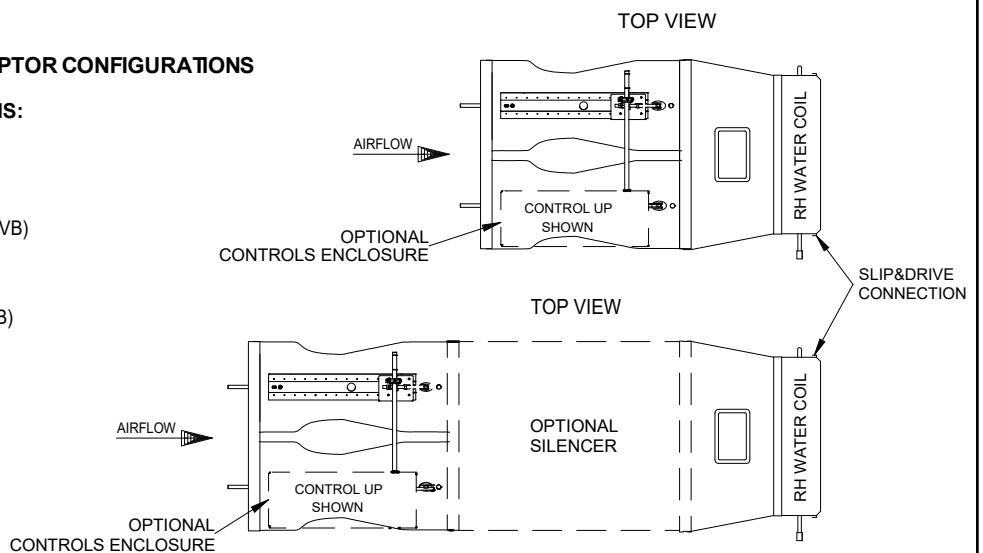


MULTIBODY VALVE, CONTROLS & WC ADAPTOR CONFIGURATIONS

CONTROL ENCLOSURE ORIENTATION OPTIONS:

- RIGHT HAND (R) HWC / CONTROL UP (CVT)
- RIGHT HAND (R) HWC / CONTROL DOWN (CVB)
- LEFT HAND (L) HWC / CONTROL UP (CVT)
- LEFT HAND (L) HWC / CONTROL DOWN (CVB)

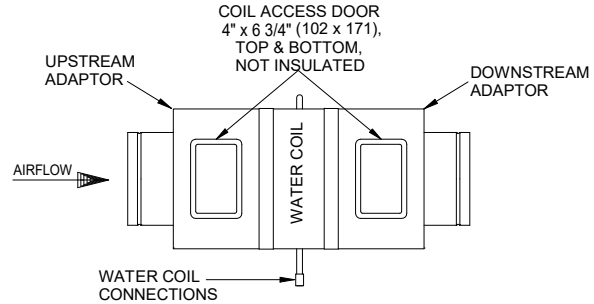
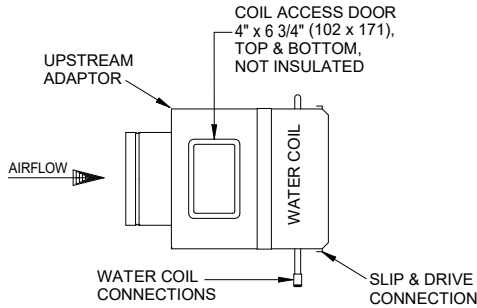
NOTE: COIL SHIPPED LOOSE FROM VALVE (CSL)
UNLESS OTHERWISE SPECIFIED.



NOTE: PLEASE REFER TO VV MANUAL FOR INSTALLATION INSTRUCTIONS.
SEE PROJECT SUBMITTAL SCHEDULE FOR SELECTED OPTIONS.

ALL METRIC DIMENSIONS () ARE SOFT CONVERTED. IMPERIAL DIMENSIONS ARE CONVERTED TO METRIC AND ROUNDED TO THE NEAREST MILLIMETER.

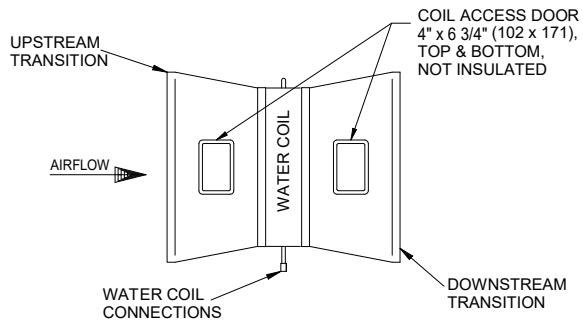
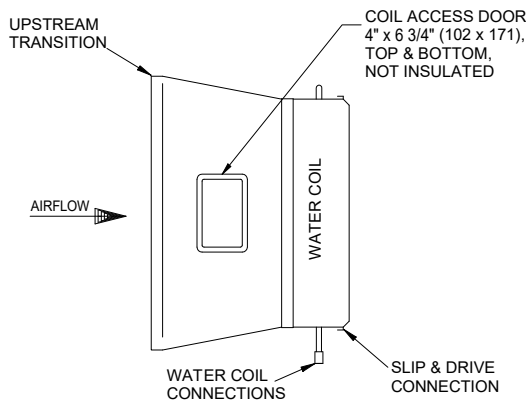
WATER COIL AND SINGLE VALVE ADAPTOR CONFIGURATION OPTIONS



- AD - COIL ACCESS DOOR
W/SCREWS
4"(102) x 6 3/4"(171)
- ADL - COIL ACCESS DOOR
W/SNAP LATCHES
4"(102) x 6 3/4"(171)
- ADQ - COIL ACCESS DOOR
W/QUARTER TURN SASH LATCHES
4"(102) x 6 3/4"(171)

- ADD - COIL ACCESS DOOR
W/SCREWS
4"(102) x 6 3/4"(171)
- ADDL - COIL ACCESS DOOR
W/SNAP LATCHES
4"(102) x 6 3/4"(171)
- ADDQ - COIL ACCESS DOOR
W/QUARTER TURN SASH LATCHES
4"(102) x 6 3/4"(171)

WATER COIL AND MULTI-VALVE ADAPTOR CONFIGURATION OPTIONS



- AD - COIL ACCESS DOOR
W/SCREWS
4"(102) x 6 3/4"(171)
- ADL - COIL ACCESS DOOR
W/SNAP LATCHES
4"(102) x 6 3/4"(171)
- ADQ - COIL ACCESS DOOR
W/QUARTER TURN SASH LATCHES
4"(102) x 6 3/4"(171)

- ADD - COIL ACCESS DOOR
W/SCREWS
4"(102) x 6 3/4"(171)
- ADDL - COIL ACCESS DOOR
W/SNAP LATCHES
4"(102) x 6 3/4"(171)
- ADDQ - COIL ACCESS DOOR
W/QUARTER TURN SASH LATCHES
4"(102) x 6 3/4"(171)

NOTE: PLEASE REFER TO VV MANUAL FOR INSTALLATION INSTRUCTIONS.
SEE PROJECT SUBMITTAL SCHEDULE FOR SELECTED OPTIONS.

ALL METRIC DIMENSIONS () ARE SOFT CONVERTED. IMPERIAL DIMENSIONS ARE CONVERTED TO METRIC AND ROUNDED TO THE NEAREST MILLIMETER.