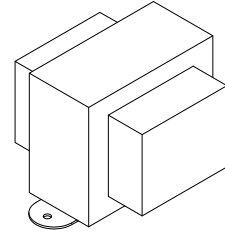
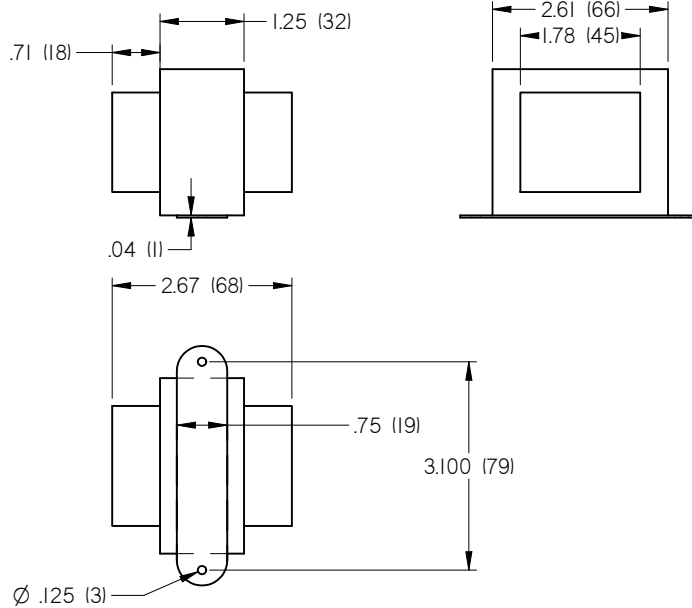


50VA - 120 TO 24VAC POWER TRANSFORMER (SHIPPED LOOSE)

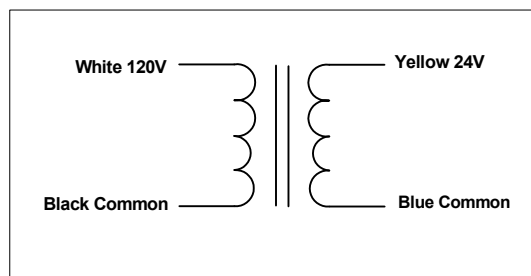
VPT-50 SPECIFICATIONS:	
PRIMARY	120VAC
FREQUENCY	50/60Hz
LEADS	18AWG, STRANDED
MOUNTING	FOOT MOUNT
WEIGHT	2.0lbs.



**DIMENSIONS:**



**TERMINATION:**

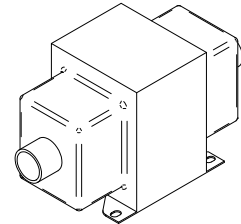


NOTE: SEE PROJECT SUBMITTAL SCHEDULE FOR SELECTED OPTIONS.

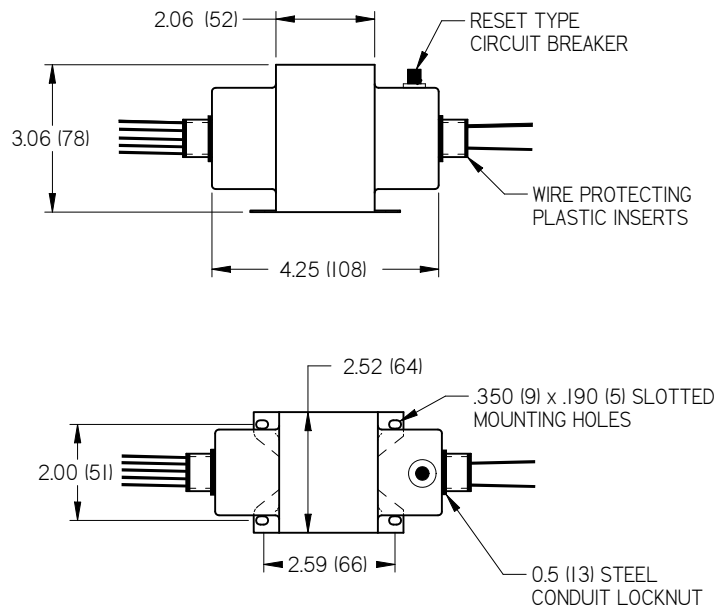
ALL METRIC DIMENSIONS ( ) ARE SOFT CONVERTED. IMPERIAL DIMENSIONS ARE CONVERTED TO METRIC AND ROUNDED TO THE NEAREST MILLIMETER.

96VA - 120, 240, 277, 480 TO 24VAC POWER TRANSFORMER (SHIPPED LOOSE)

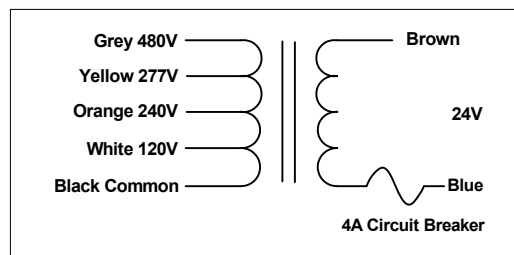
VPT-96 SPECIFICATIONS:	
PRIMARY	480/277/240/120VAC
FREQUENCY	50/60Hz
LEADS	18AWG, STRANDED
MOUNTING	FOOT MOUNT
WEIGHT	4.5lbs.
CIRCUIT PROTECTION	MANUAL RESET CIRCUIT BREAKER



**DIMENSIONS:**



**TERMINATION:**

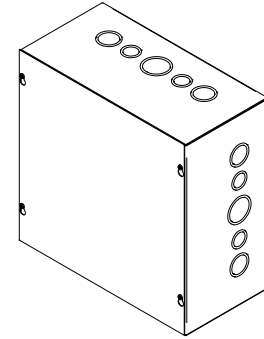


NOTE: SEE PROJECT SUBMITTAL SCHEDULE FOR SELECTED OPTIONS.

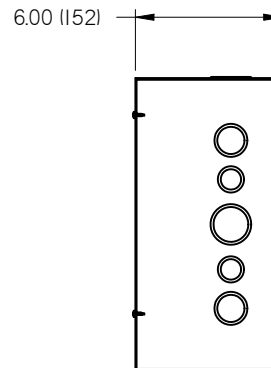
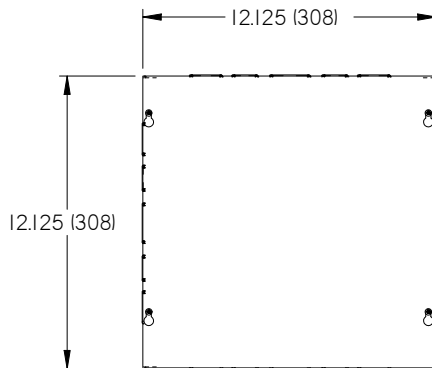
ALL METRIC DIMENSIONS ( ) ARE SOFT CONVERTED. IMPERIAL DIMENSIONS ARE CONVERTED TO METRIC AND ROUNDED TO THE NEAREST MILLIMETER.

300VA - 120, 240, 277, 480 TO 24VAC POWER TRANSFORMER (PANEL MOUNTED)

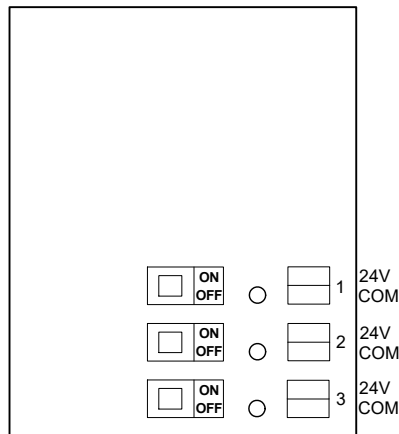
VPT-300 SPECIFICATIONS:	
TRANSFORMER	300VA
OVER CURRENT PROTECTION	CIRCUIT BREAKER
PRIMARY	480/277/240/120VAC
FREQUENCY	50/60Hz
HOUSING	NEMA 1 METAL ENCLOSURE
WEIGHT	22.46lbs.
3 SECONDARIES	24VAC, WITH LED INDICATORS 4AMP BREAKER FOR EACH OUTPUT
24 VAC ON/OFF	ON/OFF SWITCH & BREAKER
INPUT	480/277/240/120VAC FINGER-SAFE TERMINALS, 8-18AWG
OUTPUT	3 UNDERGROUNDED, ISOLATED, 100VA, CLASS 2 OUTPUTS TERMINALS ACCEPT 12-26AWG WIRE



**DIMENSIONS:**



**TERMINATION:**



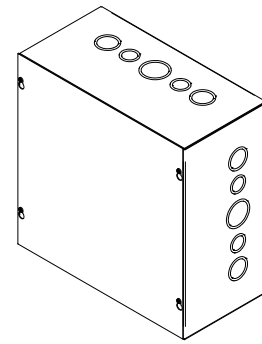
OUTPUT 1	24 VAC, 100 VA, CLASS 2
OUTPUT 2	24 VAC, 100 VA, CLASS 2
OUTPUT 3	24 VAC, 100 VA, CLASS 2

NOTE: SEE PROJECT SUBMITTAL SCHEDULE FOR SELECTED OPTIONS.

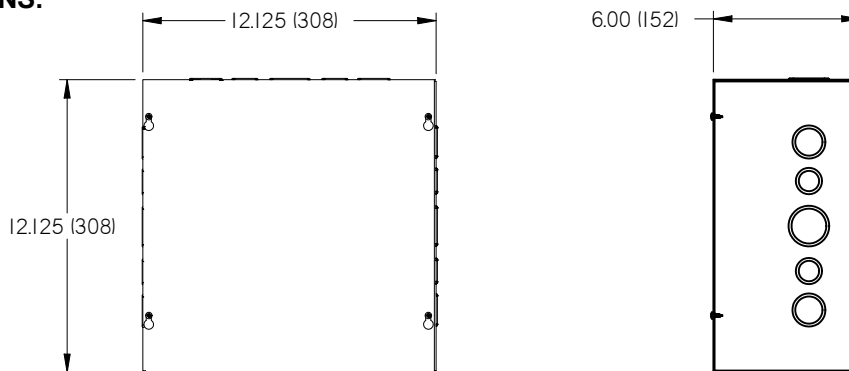
ALL METRIC DIMENSIONS ( ) ARE SOFT CONVERTED. IMPERIAL DIMENSIONS ARE CONVERTED TO METRIC AND ROUNDED TO THE NEAREST MILLIMETER.

500VA - 120, 240, 277, 480 TO 24VAC POWER TRANSFORMER (PANEL MOUNTED)

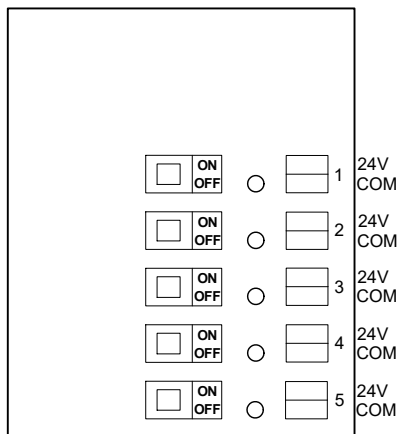
VPT-500 SPECIFICATIONS:	
TRANSFORMER	500VA
OVER CURRENT PROTECTION	CIRCUIT BREAKER
PRIMARY	480/277/240/120VAC
FREQUENCY	50/60Hz
HOUSING	NEMA 1 METAL ENCLOSURE
WEIGHT	22.46lbs.
3 SECONDARIES	24VAC, WITH LED INDICATORS 4AMP BREAKER FOR EACH OUTPUT
24 VAC ON/OFF	ON/OFF SWITCH & BREAKER
INPUT	480/277/240/120VAC FINGER-SAFE TERMINALS, 8-18AWG
OUTPUT	5 UNDERGROUNDED, ISOLATED, 100VA, CLASS 2 OUTPUTS TERMINALS ACCEPT 12-26AWG WIRE



**DIMENSIONS:**



**TERMINATION:**



OUTPUT 1	24 VAC, 100 VA, CLASS 2
OUTPUT 2	24 VAC, 100 VA, CLASS 2
OUTPUT 3	24 VAC, 100 VA, CLASS 2
OUTPUT 4	24 VAC, 100 VA, CLASS 2
OUTPUT 5	24 VAC, 100 VA, CLASS 2

NOTE: SEE PROJECT SUBMITTAL SCHEDULE FOR SELECTED OPTIONS.

ALL METRIC DIMENSIONS ( ) ARE SOFT CONVERTED. IMPERIAL DIMENSIONS ARE CONVERTED TO METRIC AND ROUNDED TO THE NEAREST MILLIMETER.